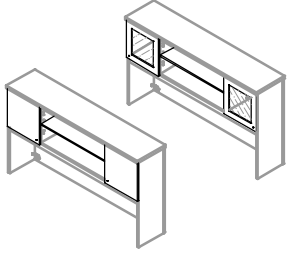


# ASSEMBLING INSTRUCTION

# COMPONENTS

## MARTIN® SERIES



WOODEN DOORS FOR 1672 & 1666 HH  
GLASS DOORS FOR 1672 & 1666 HH

**FORMCASE®**  
FORMING A BETTER WORKPLACE  
www.formcase.com



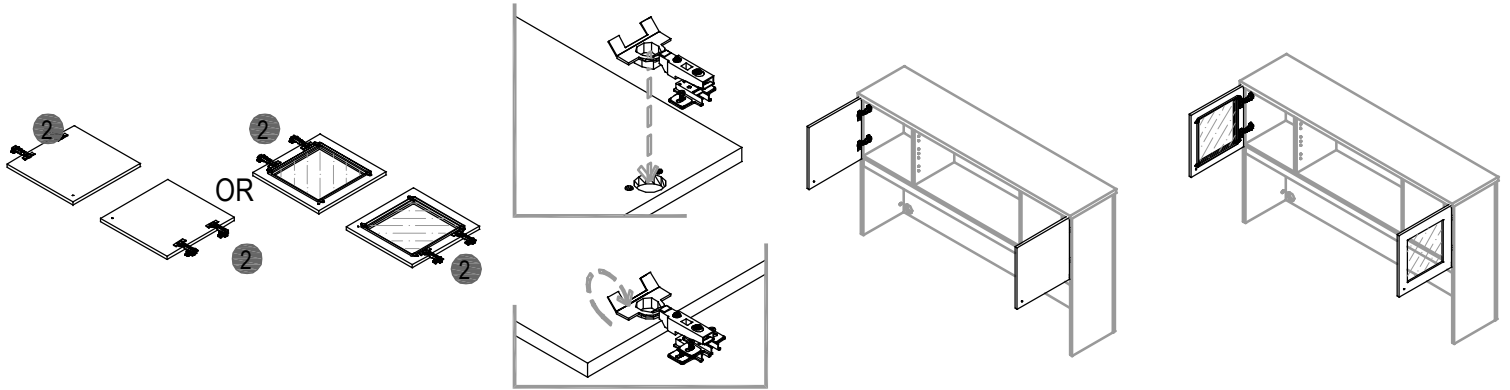
1 WOODEN DOORS 1672 & 1666 CH    1 GLASS DOORS 1672 & 1666 CH    2 ADJUSTABLE SHELF

## HARDWARE



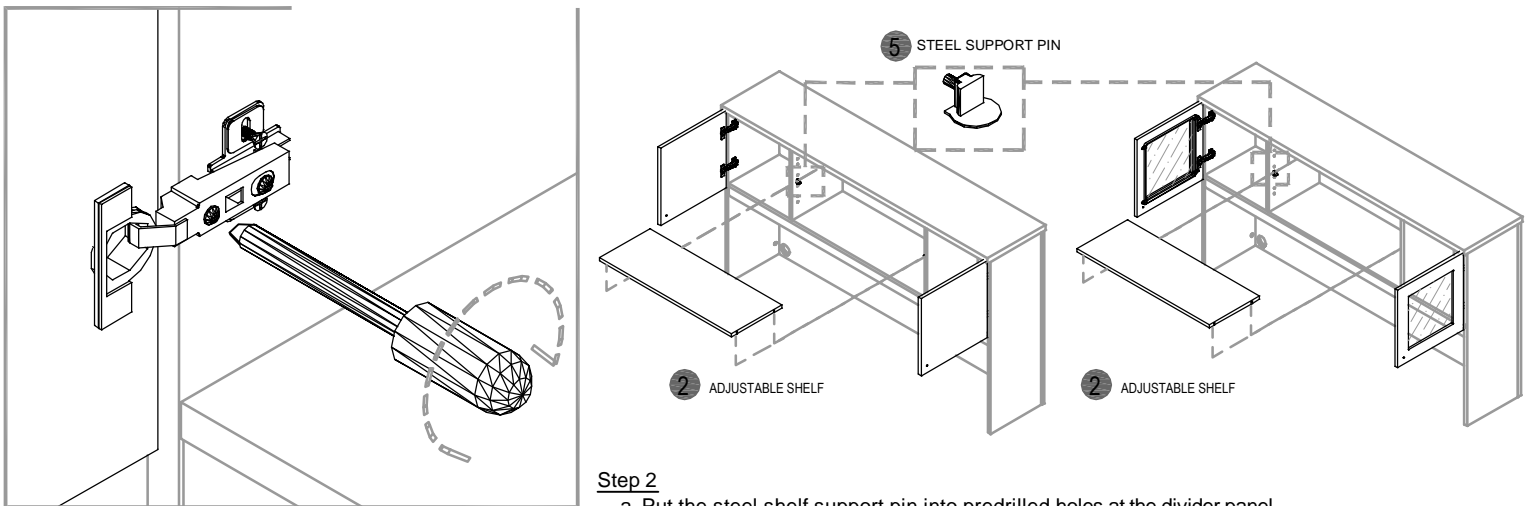
3 STRAIGHT HINGES    4 PULLS    5 1/8" X 7/8" SCREWS    5 STEEL SUPPORT PIN

TOOL REQUIRED :  
- PHILLIPS HEAD SCREW DRIVER AND FLAT HEAD SCREW DRIVER



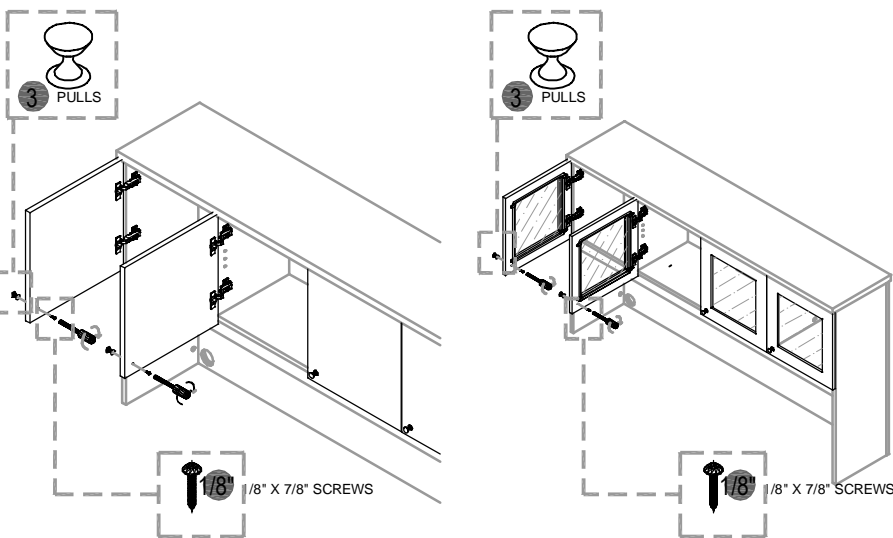
**Step 1**  
A. Attach the hinges to the doors. ( see detail 1 )

B. Attach the doors to the hutch body.



C. Align the doors by adjust the hinges

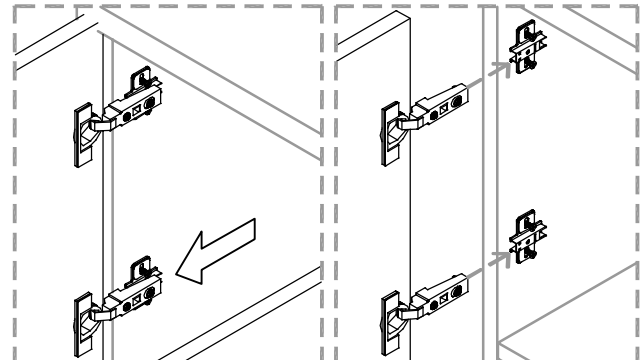
**Step 2**  
a. Put the steel shelf support pin into predrilled holes at the divider panel  
b. Position the adjustable shelf on the steel shelf support pin.



**Step 4**  
Attach the pulls to the doors by using "1/8" x 7/8"" screws.

### Clip on features

All of the Formcase products use clip on hinges. Once the doors is attached to the cabinet / hutch, the doors can be easily removed or reinstalled without using a tool.



### How to remove a clip on hinge?

Simply push the clip, located near the side panel and pull out the doors.

### How to reinstall a clip on hinge?

Position the clip to the part of the hinge at the side panel, and then push the door to reconnect the hinge.