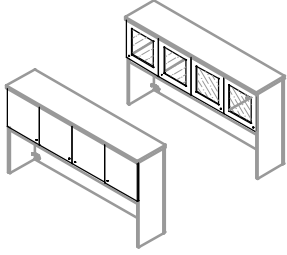


ASSEMBLING INSTRUCTION

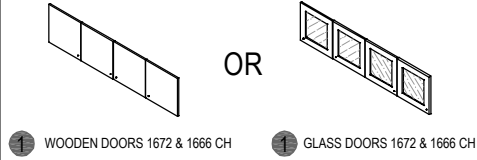
COMPONENTS

MARTIN® SERIES



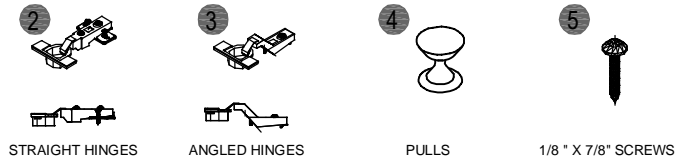
WOODEN DOORS FOR 1672 & 1666 CH
GLASS DOORS FOR 1672 & 1666 CH

FORMCASE®
FORMING A BETTER WORKPLACE
www.formcase.com



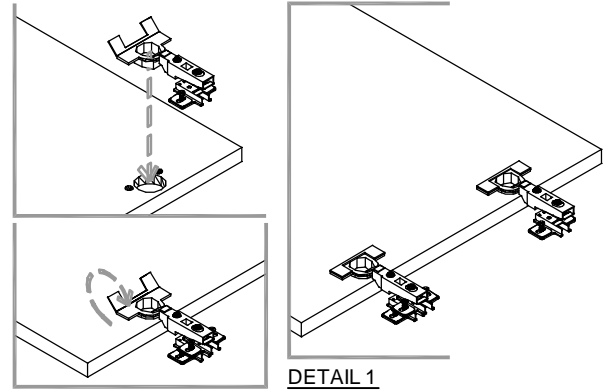
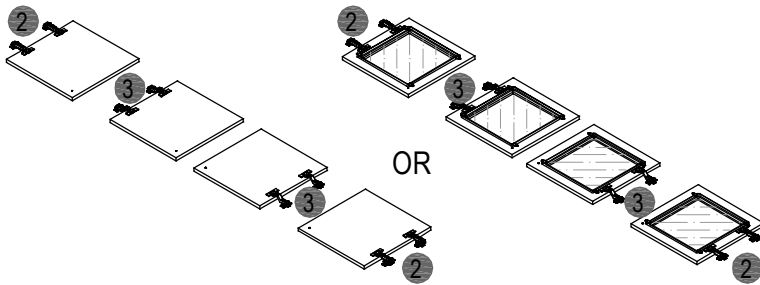
1 WOODEN DOORS 1672 & 1666 CH 1 GLASS DOORS 1672 & 1666 CH

HARDWARE

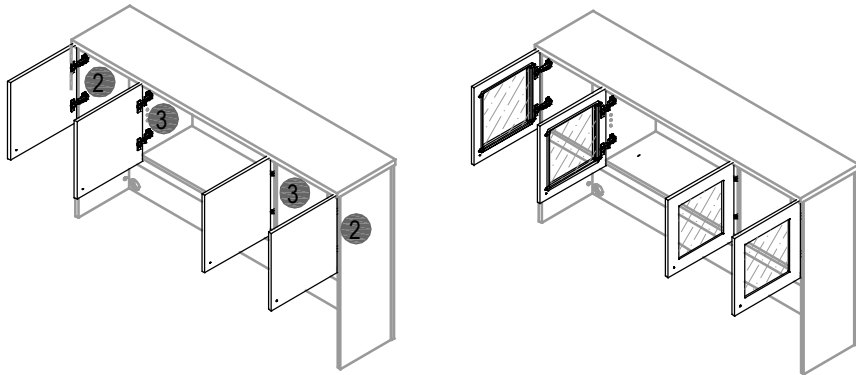


2 STRAIGHT HINGES 3 ANGLED HINGES 4 PULLS 5 1/8" X 7/8" SCREWS

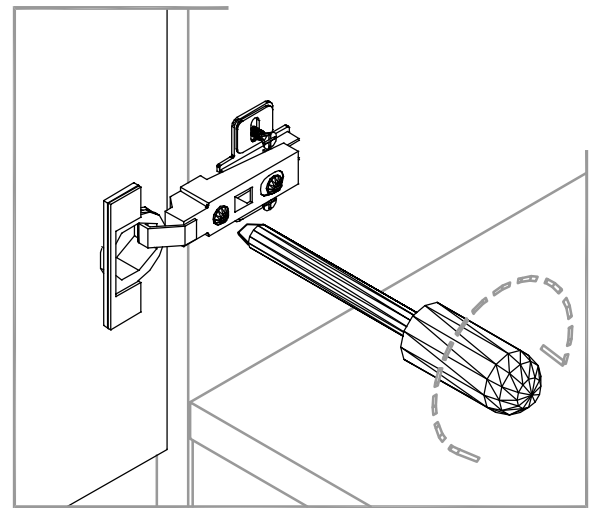
TOOL REQUIRED :
- PHILLIPS HEAD SCREW DRIVER AND FLAT HEAD SCREW DRIVER



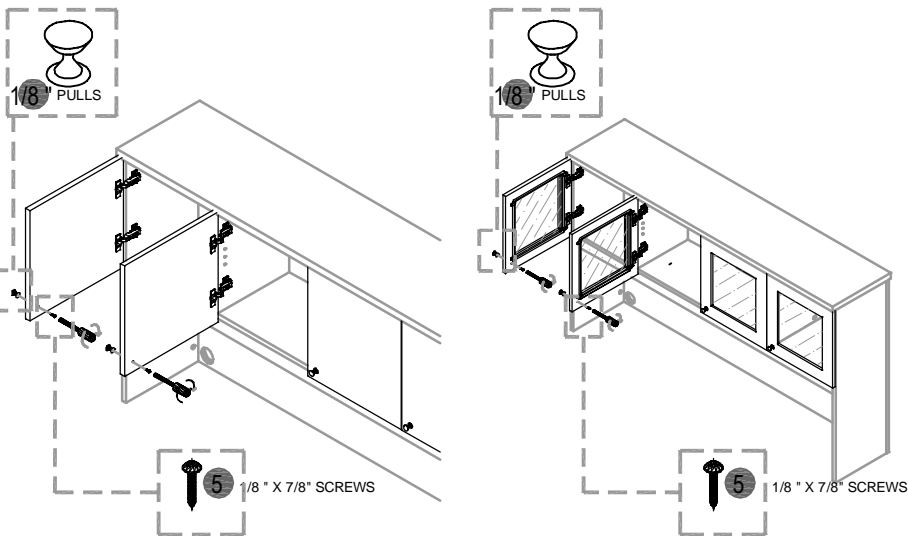
Step 1
Attach the hinges to the doors. (see detail 1)
- Angled hinges for the middle doors
- Straight hinges for the side doors.



Step 2
Attach the doors to the hutch body.

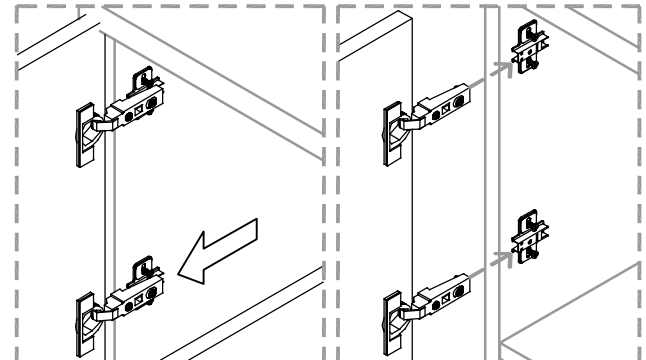


Step 3
Align the doors by adjust the hinges



Step 4
Attach the pulls to the doors by using "1/8" x 7/8" screws.

Clip on features
All of the Formcase products use clip on hinges. Once the doors is attached to the cabinet / hutch, the doors can be easily removed or reinstalled without using a tool.



How to remove a clip on hinge?

Simply push the clip, located near the side panel and pull out the doors.

How to reinstall a clip on hinge?

Position the clip to the part of the hinge at the side panel, and then push the door to reconnect the hinge.