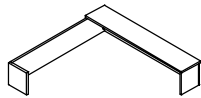


ASSEMBLING INSTRUCTION

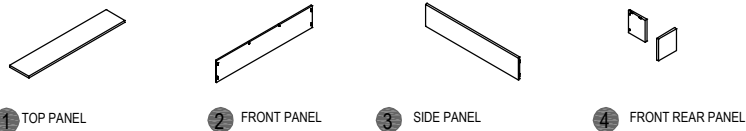
COMPONENTS

MARTIN[®] SERIES

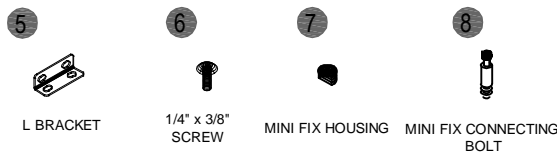


WOOD TRANSACTION COUNTER

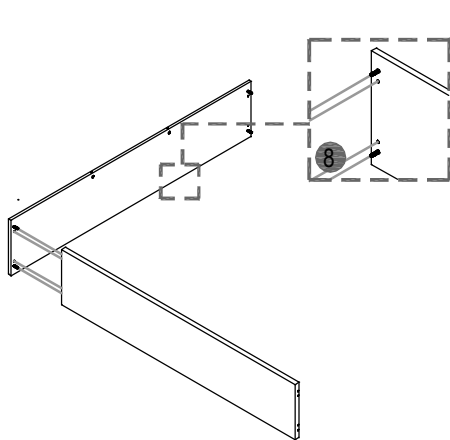
FORMCASE[®]
FORMING A BETTER WORKPLACE
www.formcase.com



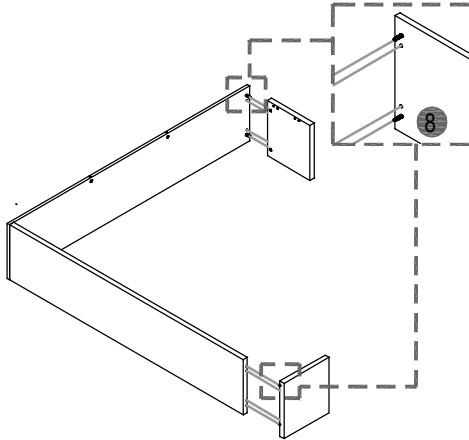
HARDWARE



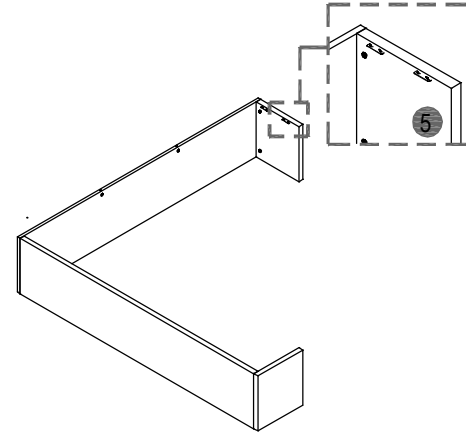
TOOL REQUIRED :
- PHILLIPS HEAD SCREW DRIVER AND FLAT HEAD SCREW DRIVER



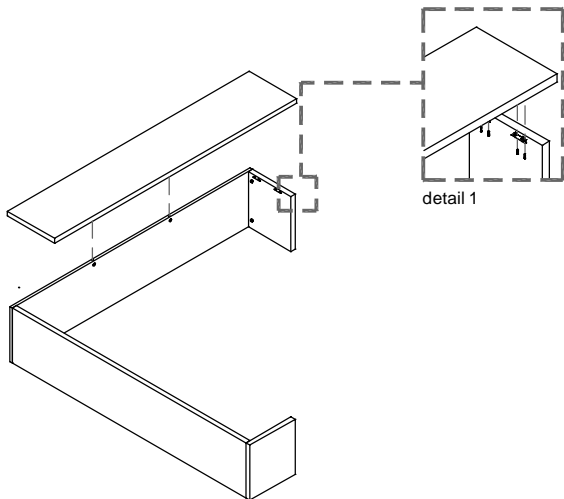
- Step 1**
- Attach the mini fix connecting bolt into the nylon sockets provided in each panel.
 - Attach the left and right side panel to the lower panel and tighten all the mini fix housings.



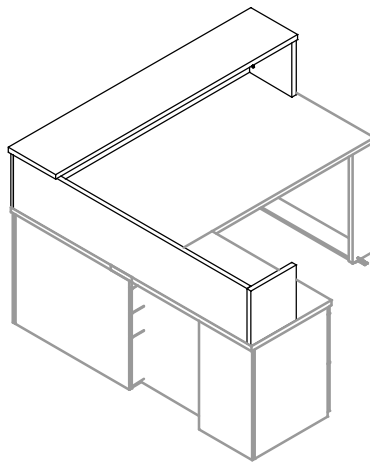
- Step 2**
- Attach the front and rear panel to the front and side panel and tighten all the mini fix housings.



- Step 3**
- Attach "L bracket" to the front and rear panel by using 1/4" x 3/8" screws.



- Step 4**
- Attach the top panel into front panel and tighten all the mini fix housings.
 - Attach top panel into rear panel by using 1/4" x 3/8" screws. (see detail 1)



- Step 4**
- Remove double side tape located at the bottom of side panel before attaching the transaction counter to the main desk.