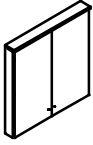


ASSEMBLING INSTRUCTION

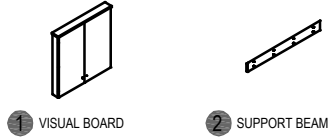
COMPONENTS

MARTIN® SERIES



VISUAL BOARD

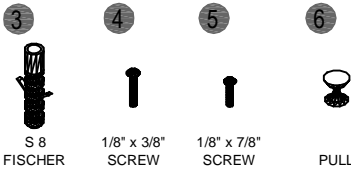
FORMCASE®
FORMING A BETTER WORKPLACE
www.formcase.com



1 VISUAL BOARD

2 SUPPORT BEAM

HARDWARE



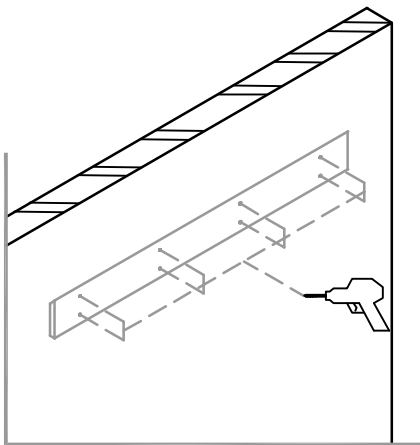
3 S 8 FISCHER

4 1/8" x 3/8" SCREW

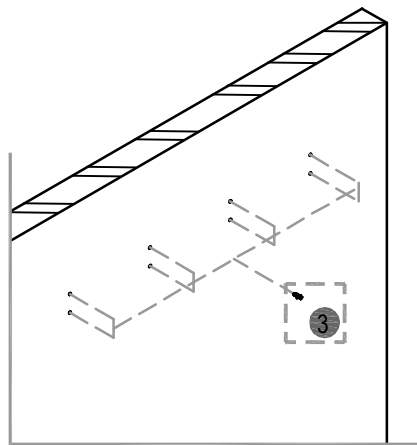
5 1/8" x 7/8" SCREW

6 PULL

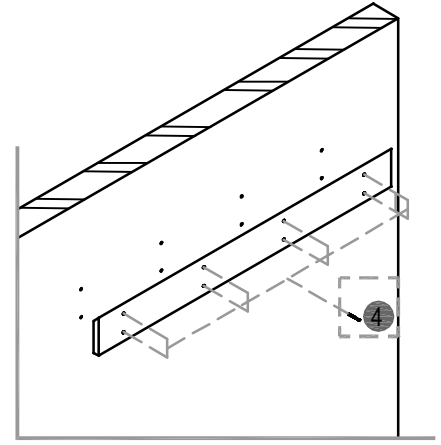
TOOL REQUIRED :
- PHILLIPS HEAD SCREW DRIVER AND FLAT HEAD SCREW DRIVER



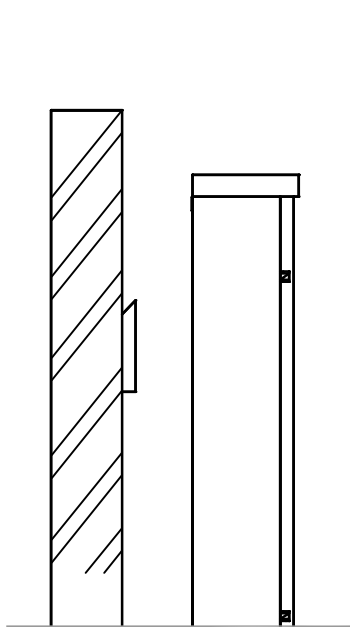
Step 1
Drill holes on the wall for attaching wall support beam by using "8 mm" drill bit.



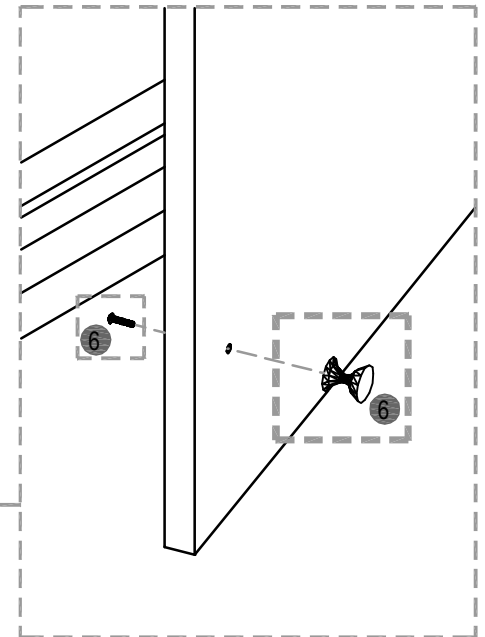
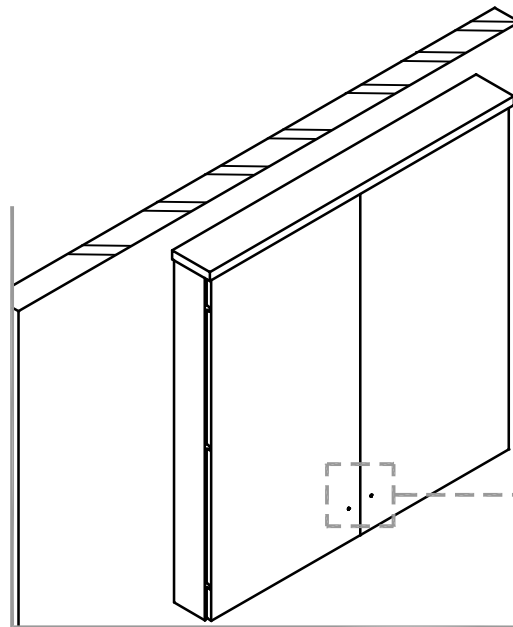
Step 2
a. Insert the s8 fischer into the predrilled holes on the wall.



b. Attach the wall support beam on the wall by using 1/8" x 3/8" screws.(see detail 1)



Step 3
a. Position the visual board onto the wall support beam.
b. Attach the pulls to the doors by using 1/8" x 7/8" screws.(see detail 1)



DETAIL 2