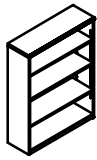


ASSEMBLING INSTRUCTION

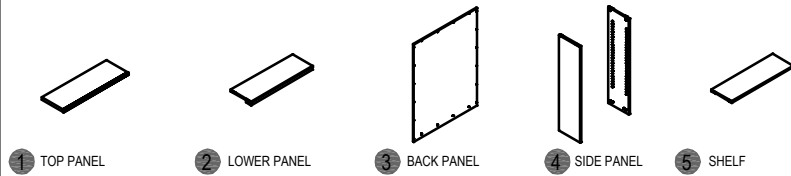
COMPONENTS

MARTIN® SERIES

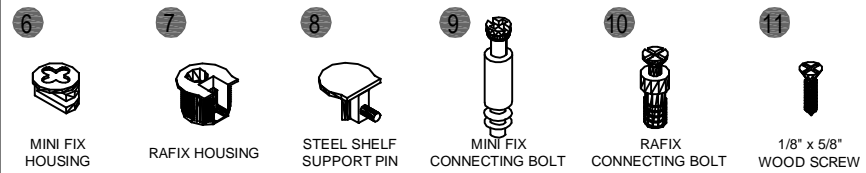


VENEER BOOKCASE

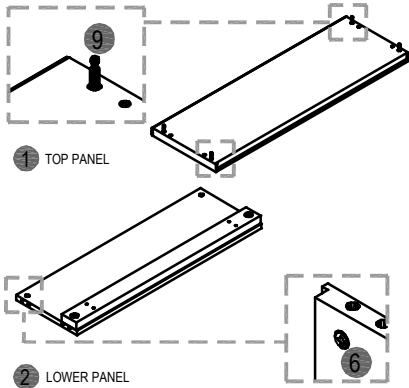
FORMCASE®
FORMING A BETTER WORKPLACE
www.formcase.com



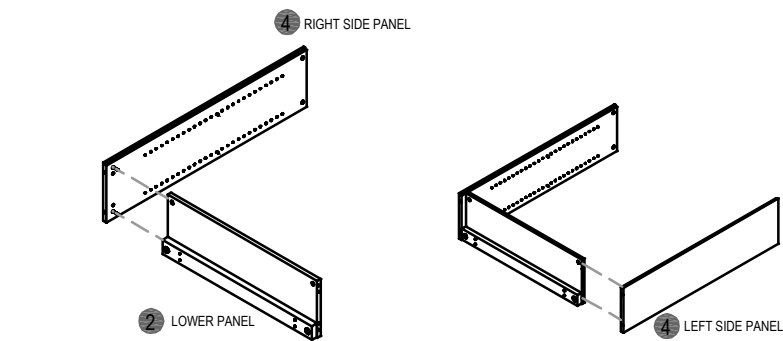
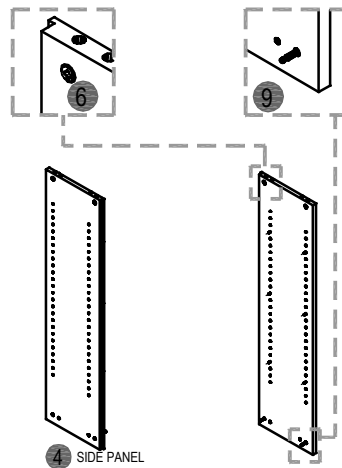
HARDWARE



TOOL REQUIRED :
- PHILLIPS HEAD SCREW DRIVER AND FLAT HEAD SCREW DRIVER



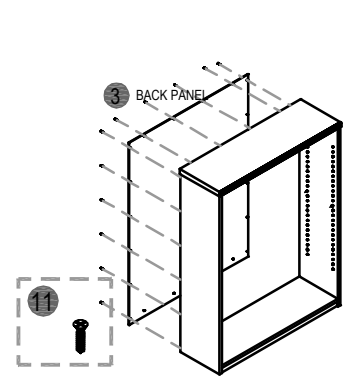
Step 1
Attach the mini fix connecting bolt into the nylon sockets provided in each panel.



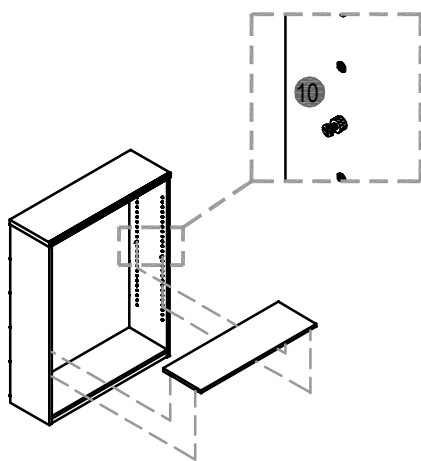
Step 2
Attach the lower panel to the side panel and tighten all minifix housings.

Step 3
Attach another side panel to the pre-assembled components and tighten all minifix housings.

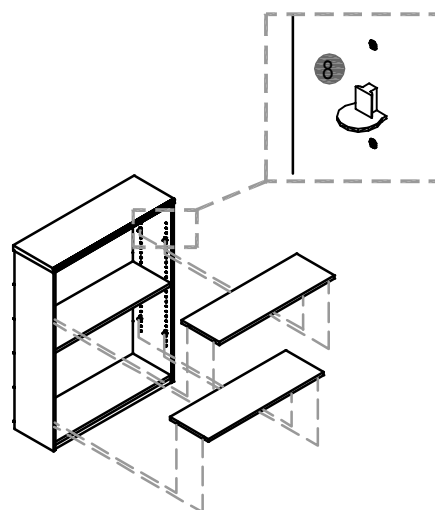
Step 4
Attach the top panel to the pre-assembled components and tighten all minifix housings.



Step 5
Attach the back panel to the pre-assembled components by using 1/8" x 5/8" wood screws.



Step 6
a. Fit the rafix connecting bolt into the middle of the bookcase side panel
3672 BC = Hole 23 from bottom
3648 BC = Hole 13 from bottom
3630 BC = Hole 6 from bottom
b. Position the fix shelf (shelf with rafix housings) on the connecting bolt.
c. Tighten the all rafix housings.



Step 7
a. Fit the steel shelf support pin into the predrilled holes at the side panels.
b. Position the adjustable shelf into the steel shelf support pin.

