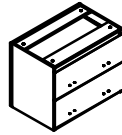


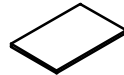
ASSEMBLING INSTRUCTION

COMPONENTS

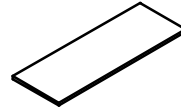
MARTIN® SERIES



1 BODY 2436 LF



2 2436 TOP PANEL



3 2466 / 2472 CREDENZA TOP PANEL



4 MODESTY PANEL



5 PEDESTAL FANTASY

HARDWARE



6 1/4" x 1 3/8" SCREW



7 1/8" x 1 1/2" SCREW



8 1/8" x 7/8" SCREW



9 GLIDE



10 PULL (for drawer)



11 L BRACKET



12 T BRACKET



13 FLAT BRACKET



14 PLATE BAR 2-7/4"



15 PLATE BAR 1-6/8"



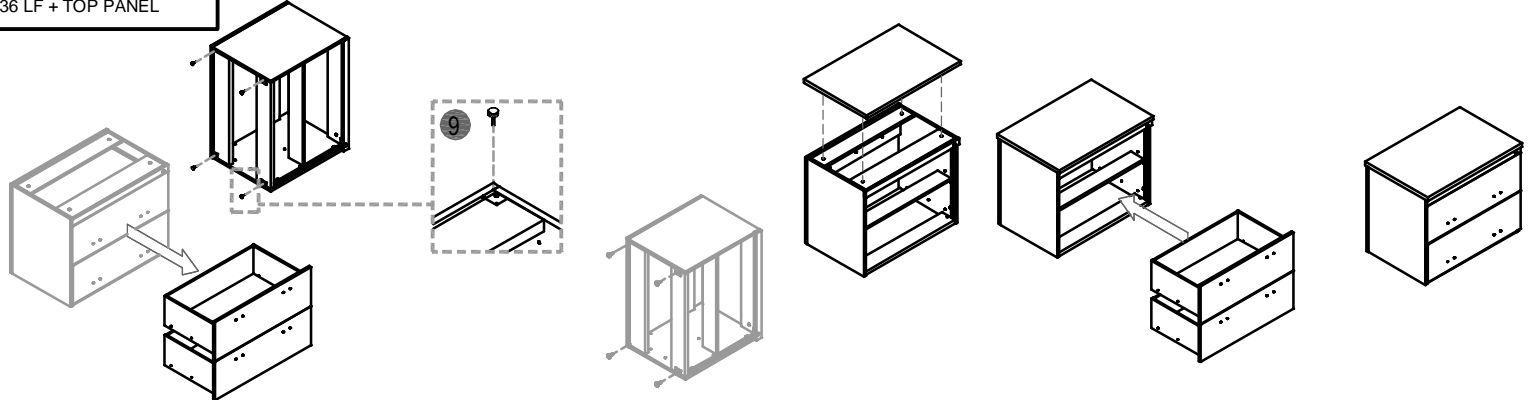
16 FILE BRACKET

TWO-DRAWER LATERAL FILE

FORMCASE®
FORMING A BETTER WORKPLACE
www.formcase.com

TOOL REQUIRED :
- PHILLIPS HEAD SCREW DRIVER AND FLAT HEAD SCREW DRIVER

2436 LF + TOP PANEL



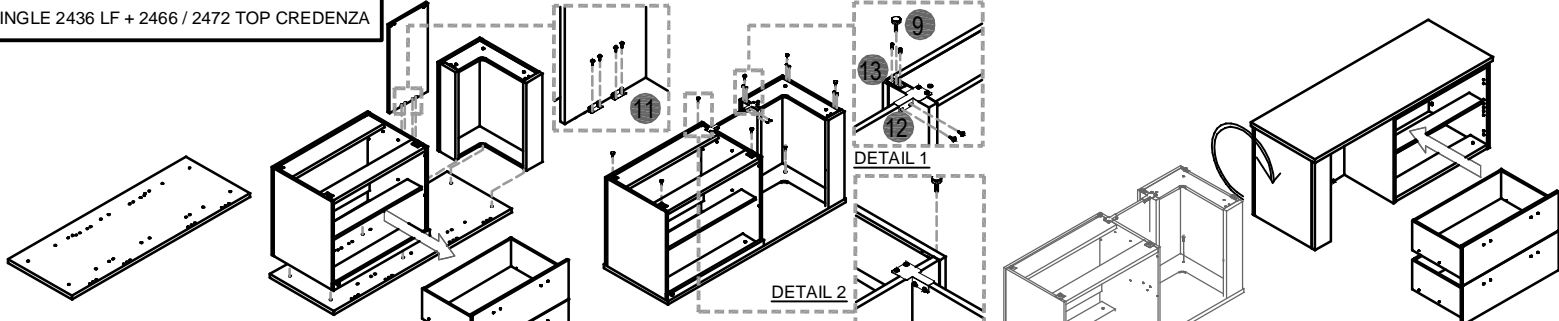
Step 1
A. Remove all drawers from body
B. Rotate 90° the body on the soft carpet (recommended) for installing glides

Step 2
A. Rotate 90° the body
B. Place the top panel to the body using 1/4" x 1 3/8" SCREW

Step 3
Insert all drawers to the body

Step 4
For installing all handles please see installing drawers instruction below

SINGLE 2436 LF + 2466 / 2472 TOP CREDENZA



Step 1
Place the desk on the soft carpet (recommended) at the final position with the drilled surface on the top.

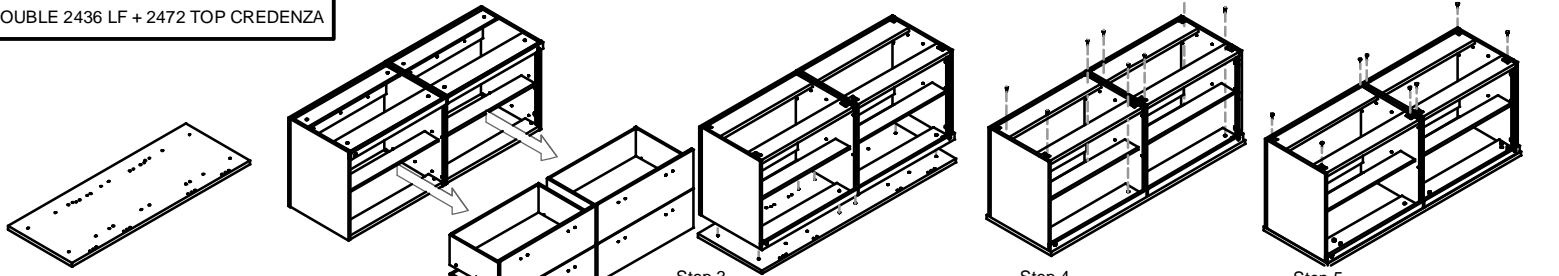
Step 2
A. Remove all drawers from body
B. Rotate 180° the body for installing glides
C. Use 1/4" x 1 3/8" screw to attach cabinet to the desktop.
D. Attach the front panel to the cabinet by using "T bracket" and 1/4" x 3/8" screws.
E. Attach the front panel to the desktop by using "L bracket" and 1/4" x 3/8" screws.

Step 3
A. Use 1/4" x 1 3/8" screw to attach pedestal to the desktop.
B. Use 1/4" x 3/8" screw to attach "T bracket" to the front panel and fantasy pedestal. (see detail 1)
C. Position flat bracket on the predrilled holes for glide at the fantasy pedestal. (see detail 2)
D. Attach the flat bracket by using 1/8" x 5/8" wood screws.
E. Attach glides into the fantasy pedestal. (see detail 2)

Step 4
A. Rotate 180° all components
B. Insert all drawers to the body

Step 5
For installing all handles please see installing drawers instruction below

DOUBLE 2436 LF + 2472 TOP CREDENZA



Step 1
Place the desk on the soft carpet (recommended) at the final position with the drilled surface on the top.

Step 2
Remove all drawers from body

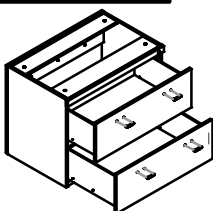
Step 3
Position the pedestal so that the predrilled holes at the upper front / rear braces of the pedestal meet the holes at the desktop.

Step 4
Use 1/4" x 1 3/8" screw to attach pedestal to the desktop.

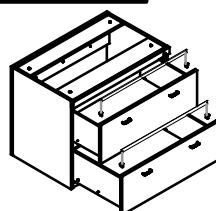
Step 5
A. Insert glides into the pedestal.
B. Rotate 180° all components
C. Insert all drawers to the body
D. For installing all handles please see installing drawers instruction below

INSTALLING HANDLES

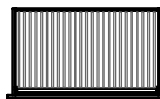
FILING SYSTEM



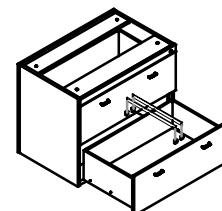
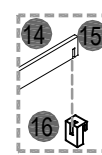
A. Attach the pulls to the drawers by using 1/8" x 1 1/2" screws.
B. Attach the pulls to the doors by using 1/8" x 7/8" screws



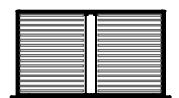
CONFIGURATION 1



FOR CONFIGURATION 1 YOU CAN USE
2-7/4" PLATE BAR AND FILE BRACKET



CONFIGURATION 2



FOR CONFIGURATION 2 YOU CAN USE
1-6/8" PLATE BAR AND FILE BRACKET