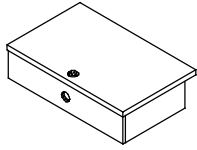


ASSEMBLING INSTRUCTION

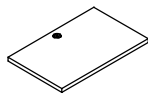
COMPONENTS

MARTIN® SERIES



TV SHELF

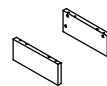
FORMCASE®
FORMING A BETTER WORKPLACE
www.formcase.com



1 TOP PANEL

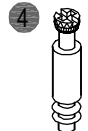


2 REAR BRACE



3 SIDE BRACES

HARDWARE



4 MINI FIX CONNECTING BOLT

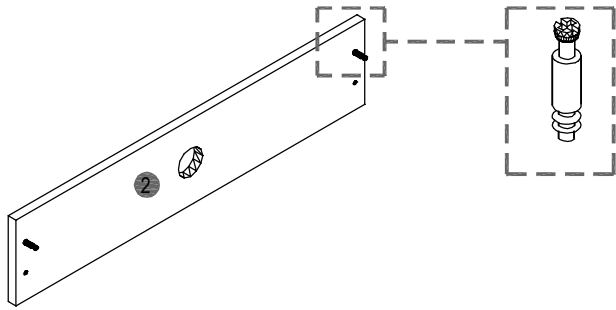


5 MINIFIX CAP

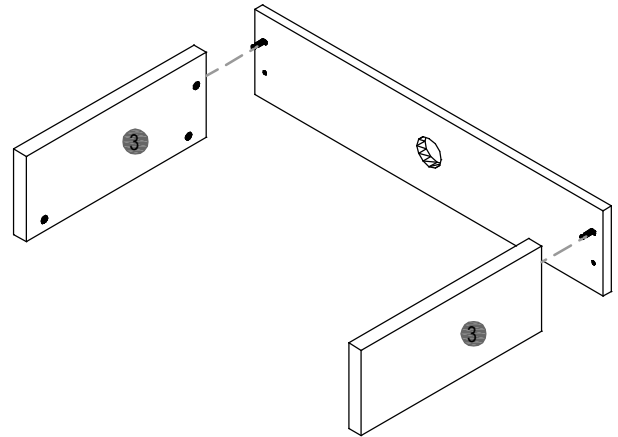


6 CABLE CAP

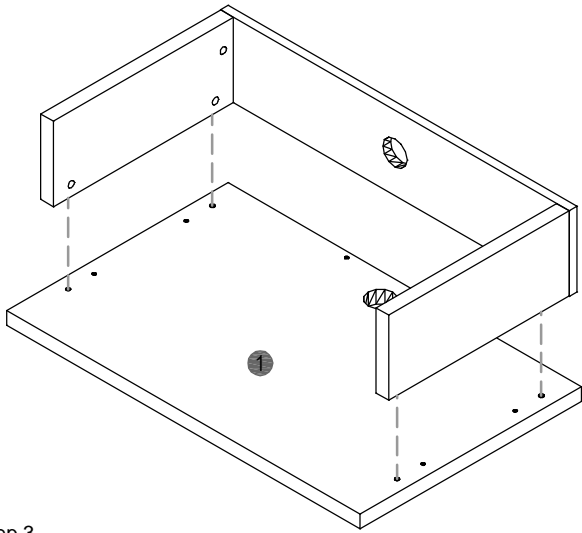
TOOL REQUIRED :
- PHILLIPS HEAD SCREW DRIVER AND FLAT HEAD SCREW DRIVER



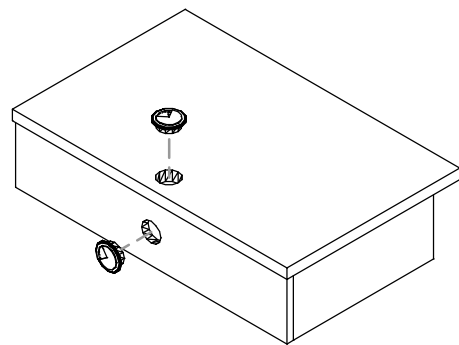
Step 1
Attach the mini fix connecting bolt into the nylon sockets provided in each panel.



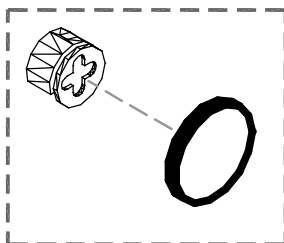
Step 2
Attach side panel into rear chasis and tighten all mini fix housings.



Step 3
a. Attach the top panel to the pre-assembled components and tighten all mini fix housings.

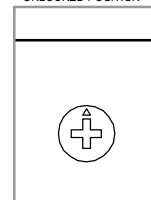


b. Attach the cable cap into top panel and rear chasis.



Attach the minifix cap into all minifix housing

MINI FIX HOUSING UNLOCKED POSITION



MINI FIX HOUSING LOCKED POSITION

