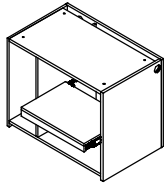


# ASSEMBLING INSTRUCTION

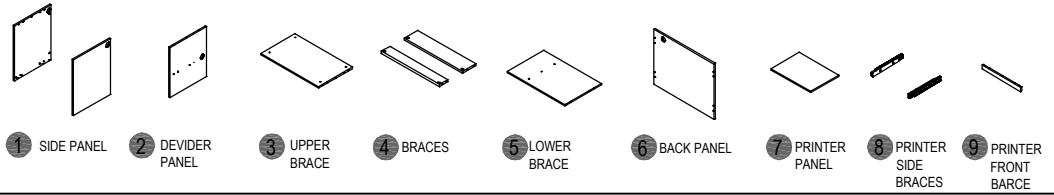
# COMPONENTS

MARTIN<sup>®</sup> SERIES

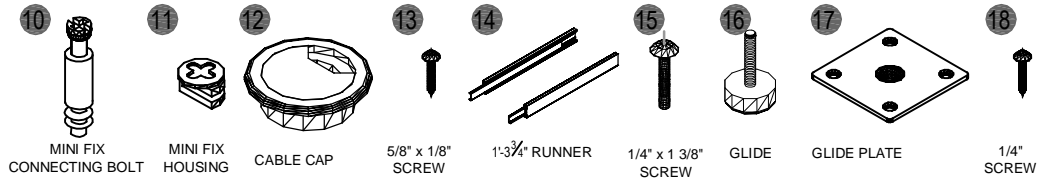


TECHNOLOGY PEDESTAL

FORMCASE<sup>®</sup>  
FORMING A BETTER WORKPLACE  
www.formcase.com

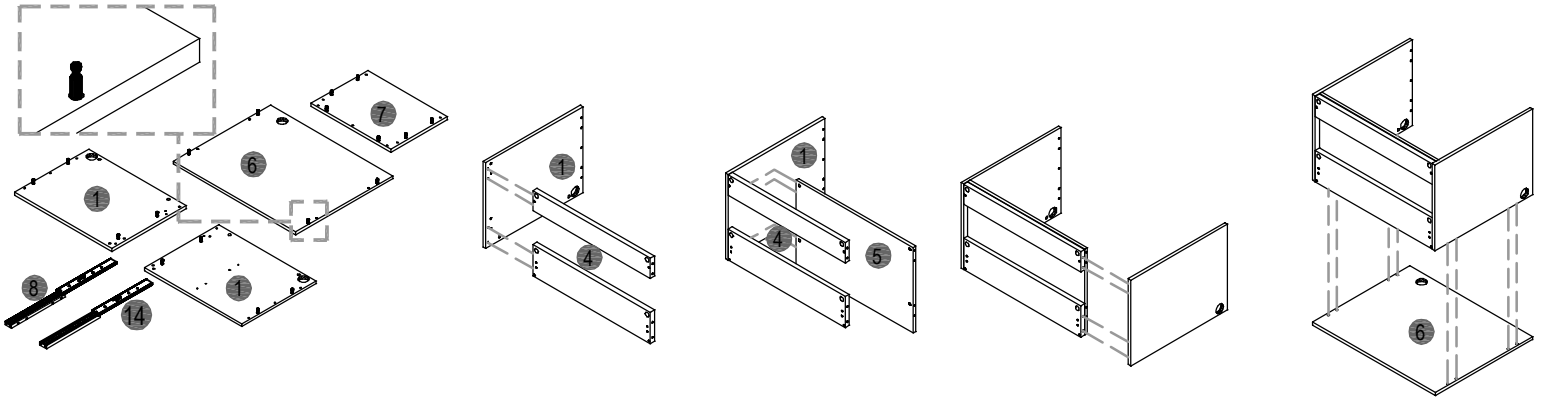


## HARDWARE



## INSTALLING BODY

TOOL REQUIRED :  
- PHILLIPS HEAD SCREW DRIVER AND FLAT HEAD SCREW DRIVER



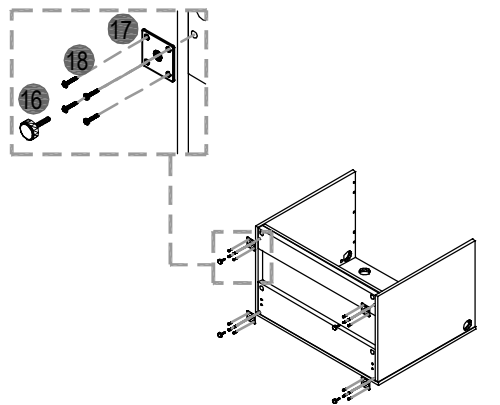
**Step 1**  
a. Attach the mini fix connecting bolts into the nylon sockets provided in each panel.  
b. Attach runner to the printers side braces using 5/8" x 1/8" screws

**Step 2**  
a. Attach braces to the side panel.  
b. Tighten all the mini fix housings.

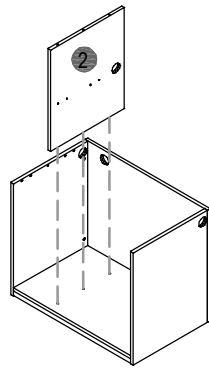
**Step 3**  
Attach lower panel to the side panel and tighten all the mini fix housings.

**Step 4**  
a. Attach side panel to the pre assembled component  
b. Tighten all the mini fix housings.

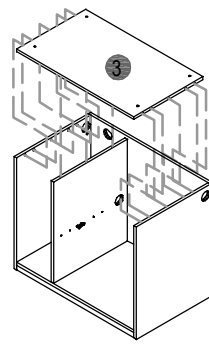
**Step 5**  
Attach back panel to the pre-assembled component and tighten all the mini fix housings.



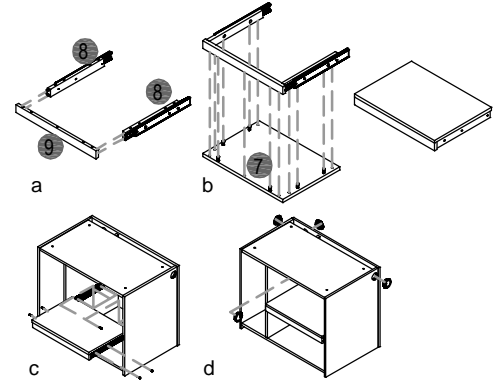
**Step 6**  
Attach glide plate to the pre-assembled component using 1/4" screw then attach glide into glide plate



**Step 7**  
Attach divider panel to the pre-assembled component

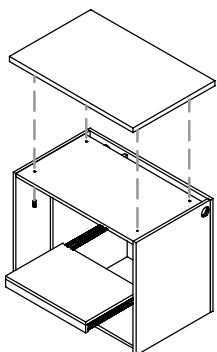


**Step 8**  
Attach upper brace to the pre-assembled component and tighten all the mini fix housings.



**Step 9**  
a. Attach printer braces to the printer front braces  
b. Attach pre-assembled braces to the printer panel and tighten all the minifix housing  
c. Attach the printer tray to the pre attached components  
d. Attach grommets to the holes provided at side panels, divider panel, and back panel

## INSTALLING TOP PANEL



Attach Top panel to the Technology pedestal using 1/4" x 1 3/8" screw