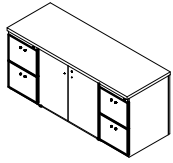


# ASSEMBLING INSTRUCTION

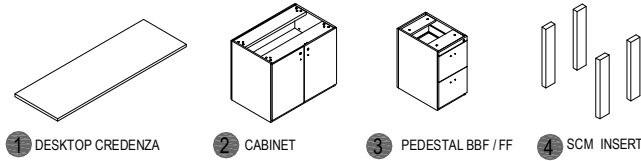
# COMPONENTS

## MARTIN® SERIES

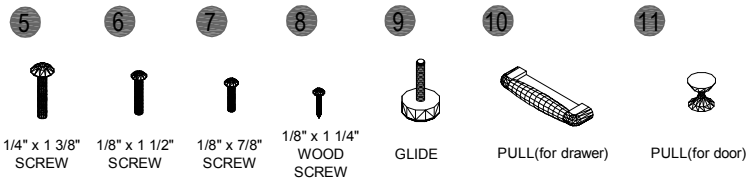


### STORAGE CREDENZA

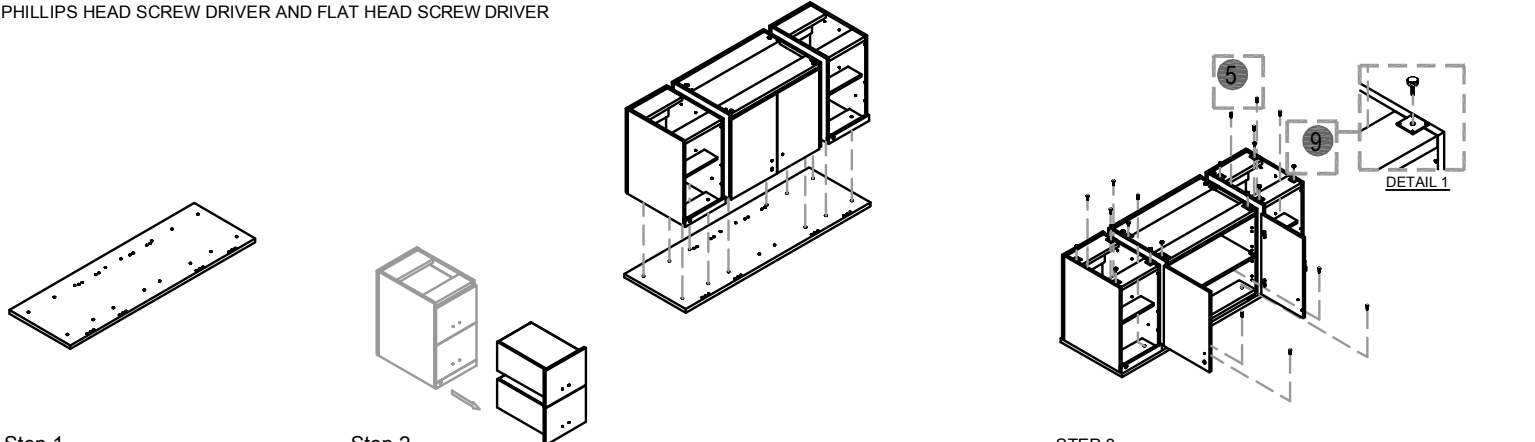
**FORMCASE®**  
FORMING A BETTER WORKPLACE  
www.formcase.com



### HARDWARE



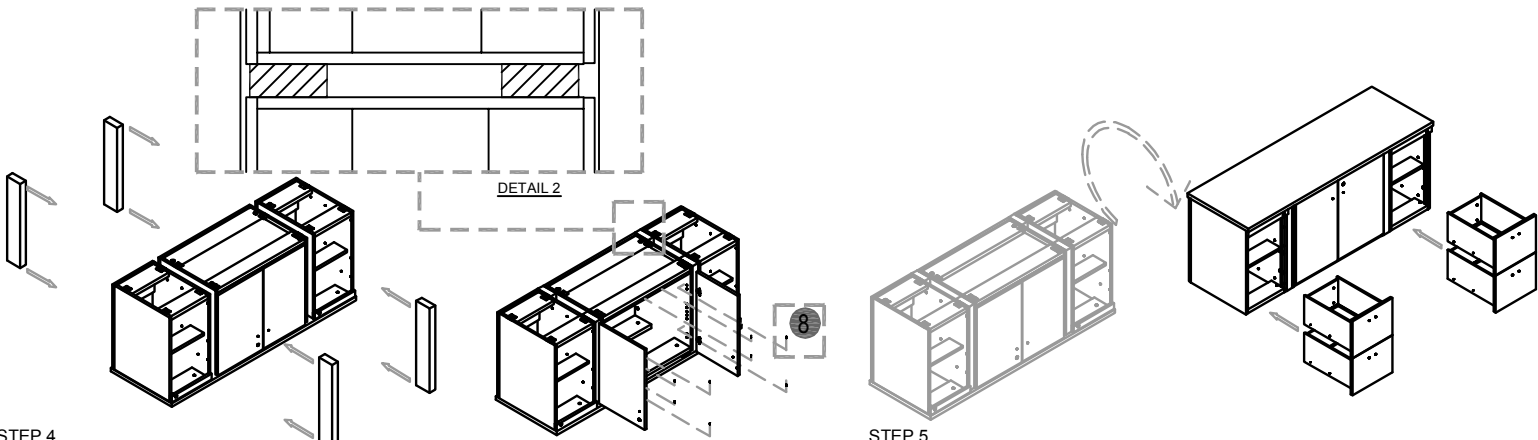
TOOL REQUIRED :  
- PHILLIPS HEAD SCREW DRIVER AND FLAT HEAD SCREW DRIVER



**Step 1**  
Place the desk on the soft carpet (recommended) at the final position with the drilled surface on the top.

**Step 2**  
a. Remove all drawers from body.  
for ' 72 scm insert '  
b. Put the 24" pedestal BBF / FF and cabinet 2436 DC on the 2472 Credenza top.  
for ' 66 scm insert '  
b. Put the 24" pedestal BBF / FF and cabinet 2433 DC on the 2466 Credenza top.

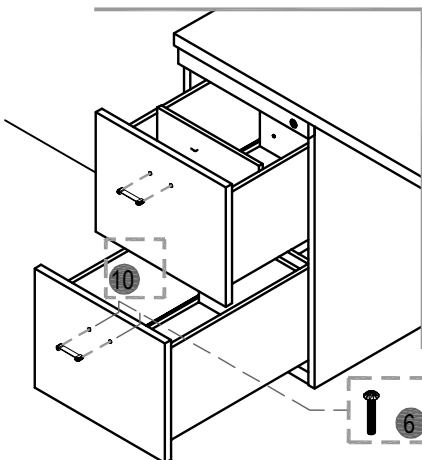
**STEP 3**  
a. Use 1/4" x 1 3/8" screw to attach pedestal to the desktop.  
b. Insert glides into the pedestal and cabinet. (see detail 1)



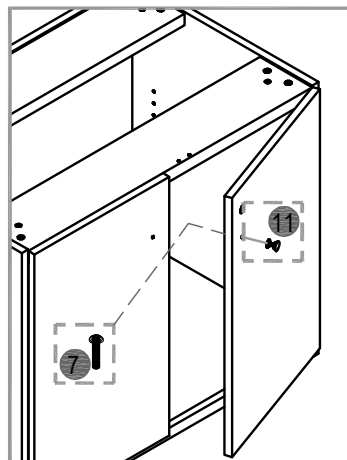
**STEP 4**  
a. attach scm insert to the pre - assembled components. (see detail 2)  
b. Use 1/8" x 1 1/4" wood screw to attach scm insert to the cabinet.

**STEP 5**  
a. Rotate 180° all components.  
b. Insert all drawers to the body.  
c. For installing all handles and pulls please see installing drawers instruction below.

### INSTALLING HANDLES AND PULLS



a. Attach the pulls to the drawers by using 1/8" x 1 1/2" screws.



b. Attach the pulls to the doors by using 1/8" x 7/8" screws.