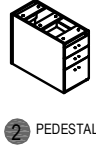
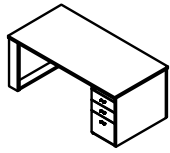


ASSEMBLING INSTRUCTION

COMPONENTS

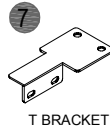
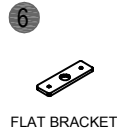
MARTIN® SERIES



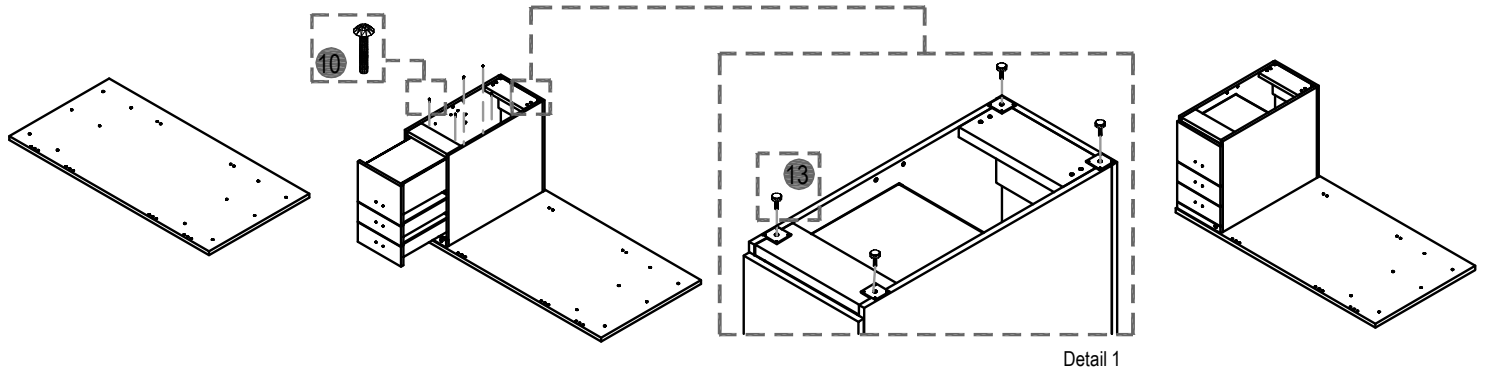
SINGLE PEDESTAL DESKS

FORMCASE®
FORMING A BETTER WORKPLACE
www.formcase.com

HARDWARE

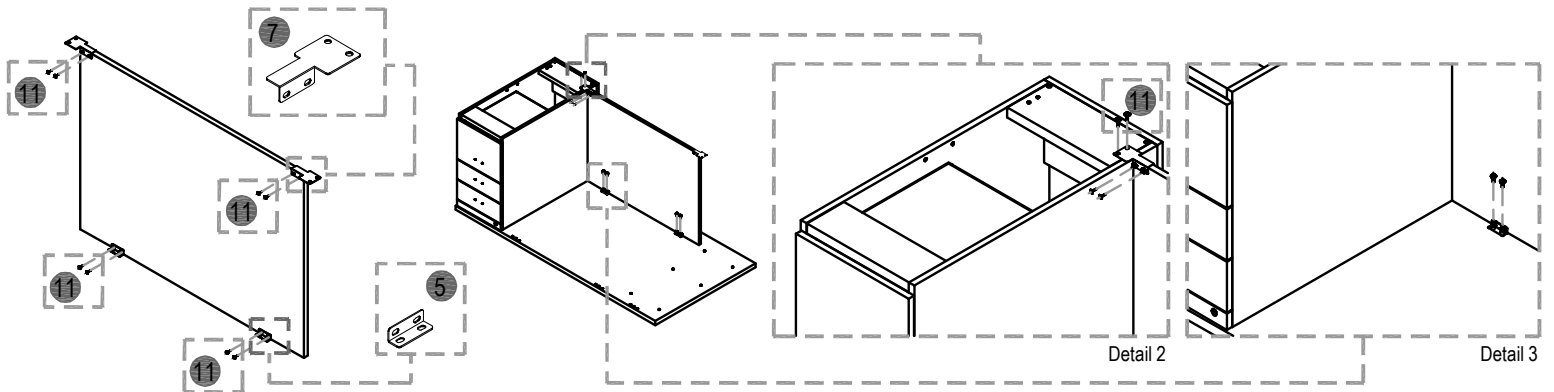


TOOL REQUIRED :
- PHILLIPS HEAD SCREW DRIVER AND FLAT HEAD SCREW DRIVER



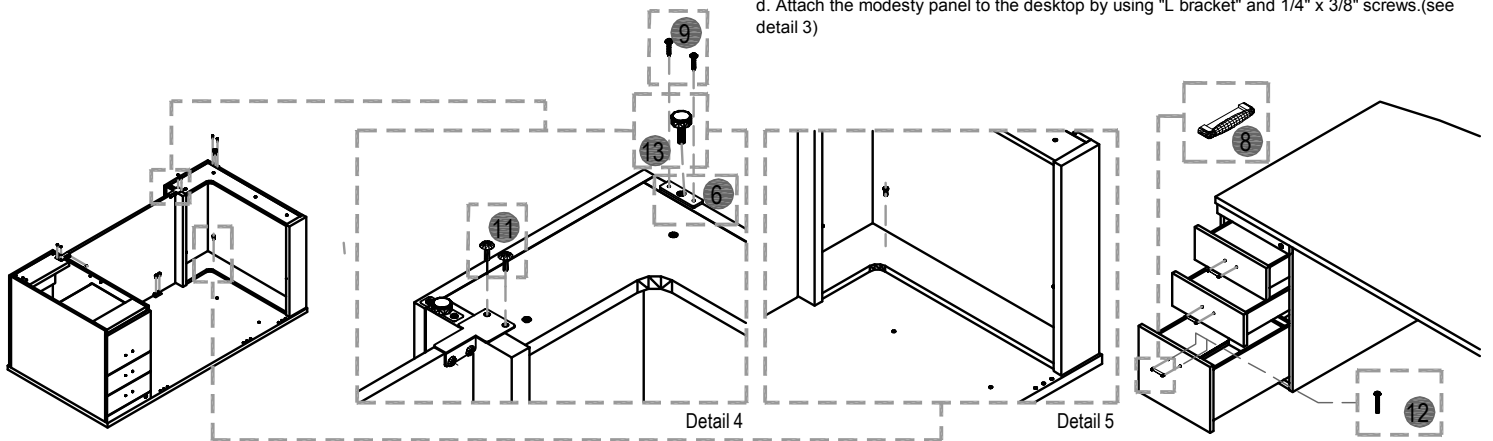
Step 1
Place the desk on the soft carpet (recommended) at the final location with the drilled surface on the top

Step 2
a. Put the pedestal on the desktop
b. Pull out the drawers
c. Position the pedestal on the desktop so that the predrilled holes at the upper front / rear braces of the pedestal meet the holes at the desktop.
d. Use 1/4" x 1 3/8" screw to attach pedestal to the desktop.
e. Insert glides into the pedestal. (see detail 1)



Step 3
a. Attach "L brackets" and "T brackets" to the modesty panel by using 1/4" x 3/8" screws.

b. Put the modesty panel on the desktop
c. Attach the modesty panel to the pedestal by using "T bracket" and 1/4" x 3/8" screws. (see detail 2)
d. Attach the modesty panel to the desktop by using "L bracket" and 1/4" x 3/8" screws. (see detail 3)



Step 4
a. Put the fantasy pedestal on the desktop.
b. Position the fantasy pedestal on the desktop so that the predrilled holes at the upper brace meet the holes at the desktop. (see detail 5)
c. Use 1/4" x 1 3/8" screw to attach fantasy pedestal to the desktop.
d. Attach the modesty panel to the pedestal by using "T bracket" and 1/4" x 3/8" screws. (see detail 4)
e. Position flat bracket to the predrilled holes of the fantasy pedestal. Attach the flat bracket by using 1/8" x 5/8" wood screws. (see detail 4)
f. Attach the glides into the fantasy pedestal.

Step 5
a. Attach the pulls to the drawers by using 1/8" x 1 1/2" screws.