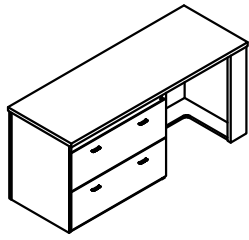


# ASSEMBLING INSTRUCTION

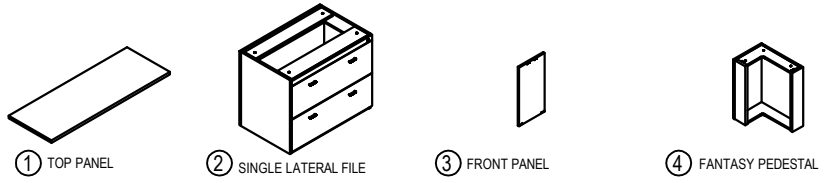
# COMPONENTS

## MARTIN<sup>®</sup> SERIES

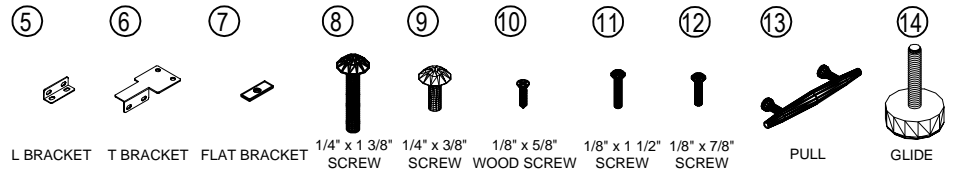


### SINGLE LATERAL FILE CREDENZA

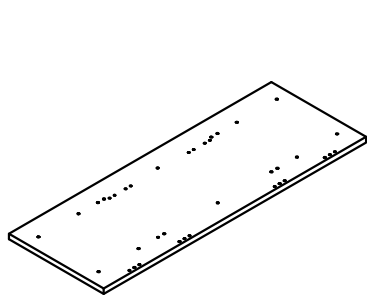
**FORMCASE<sup>®</sup>**  
FORMING A BETTER WORKPLACE  
www.formcase.com



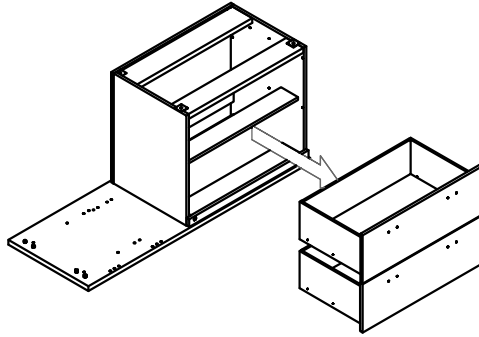
### HARDWARE



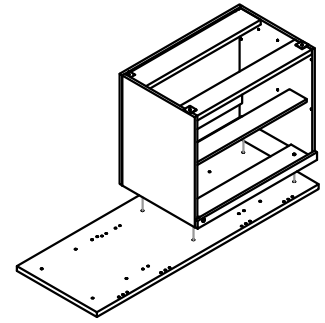
**TOOL REQUIRED :**  
- PHILLIPS HEAD SCREW DRIVER AND FLAT HEAD SCREW DRIVER



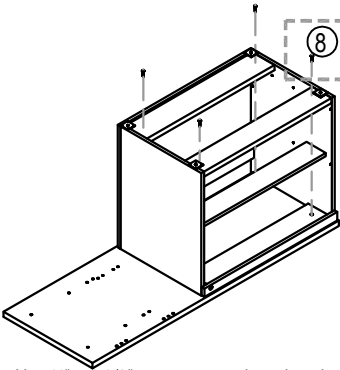
**Step 1**  
Place the desk on the soft carpet (recommended) at the final position with the drilled surface on the top.



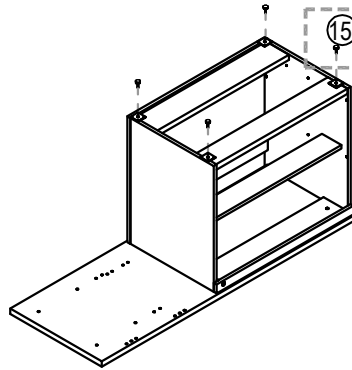
**Step 2**  
a. Remove all drawers from body



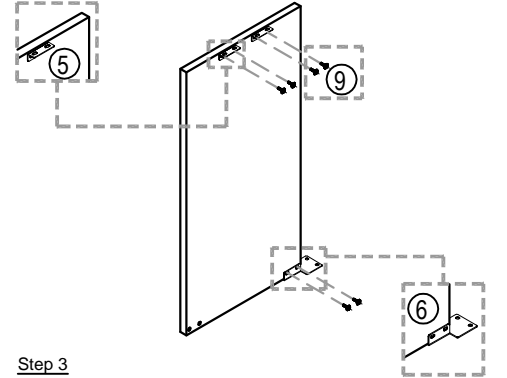
b. Position the pedestal so that the predrilled holes at the upper front / rear braces of the pedestal meet the holes at the desktop.



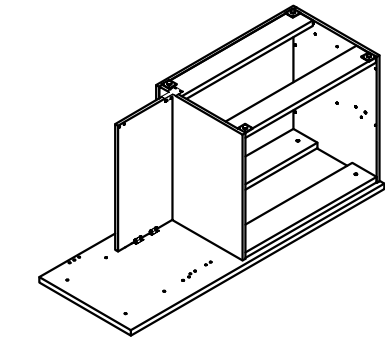
b. Use 1/4" x 1 3/8" screw to attach pedestal to the desktop.



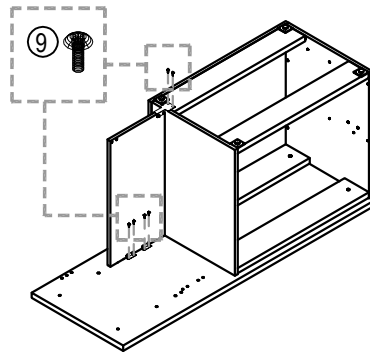
c. Insert glides into the pedestal.



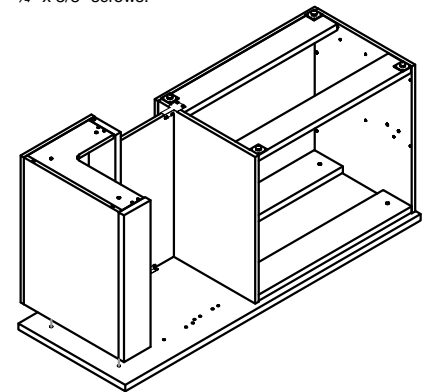
**Step 3**  
a. Attach "L bracket" and "T bracket" to the front panel by using 1/4" x 3/8" screws.



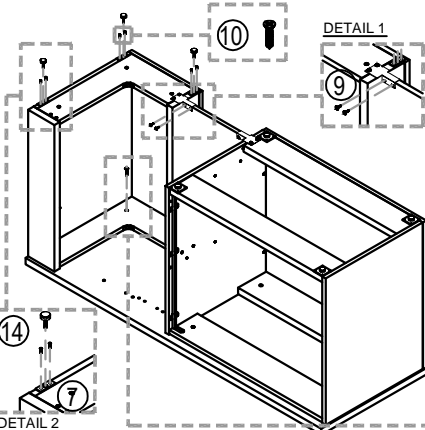
b. Put the front panel on the desktop.



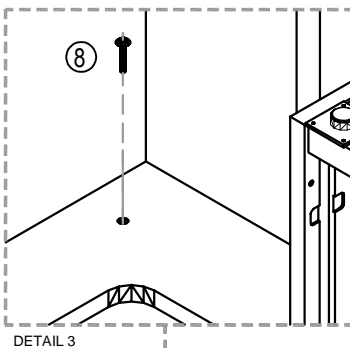
c. Attach the front panel to the pedestal by using "T bracket" and 1/4" x 3/8" screws.  
d. Attach the front panel to the desktop by using "L bracket" and 1/4" x 3/8" screws.



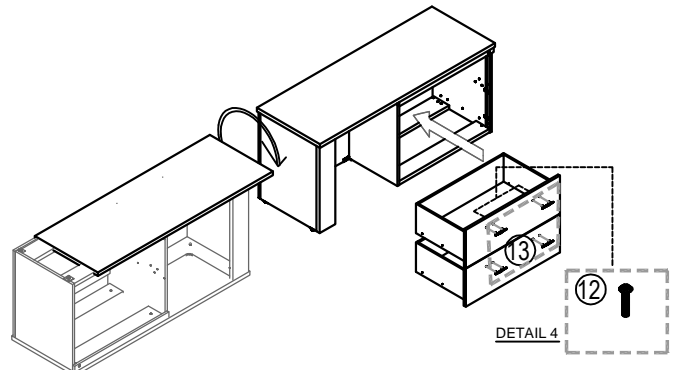
**Step 4**  
a. Place the fantasy pedestal on the desktop  
b. Position the pedestal so that the predrilled holes at the upper brace of the fantasy pedestal meet the holes at the desktop.



c. Use 1/4" x 1 3/8" screw to attach pedestal to the desktop.  
d. Use 1/4" x 3/8" screw to attach "T bracket" to the front panel and fantasy pedestal.(see detail 1)  
e. Position flat bracket on the predrilled holes for glide at the fantasy pedestal.(see detail 2)  
f. Attach the flat bracket by using 1/8" x 5/8" wood screws.  
g. Attach glides into the fantasy pedestal.(see detail 2)



DETAIL 3



**Step 5**  
a. Rotate 180° all components  
b. Insert all drawers to the body  
c. Attach the pulls to the drawers by using 1/8" x 1 1/2" screws.( see detail 4 )

DETAIL 4