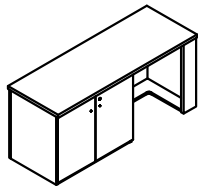


# ASSEMBLING INSTRUCTION

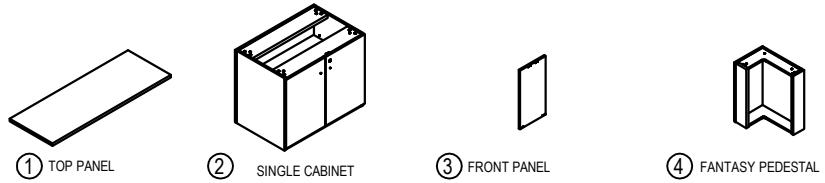
# COMPONENTS

## MARTIN<sup>®</sup> SERIES

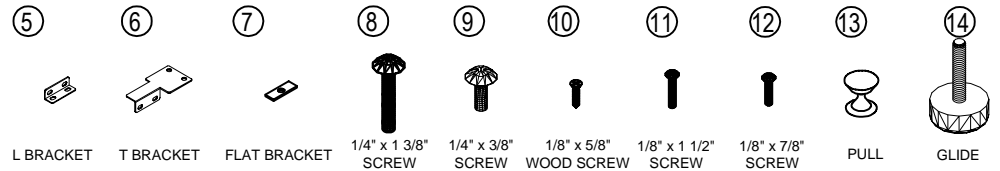


### SINGLE CABINET CREDENZA

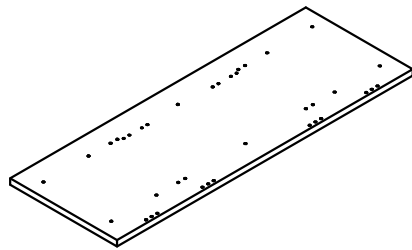
**FORMCASE<sup>®</sup>**  
FORMING A BETTER WORKPLACE  
www.formcase.com



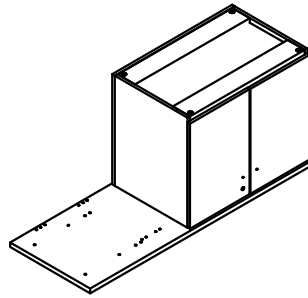
### HARDWARE



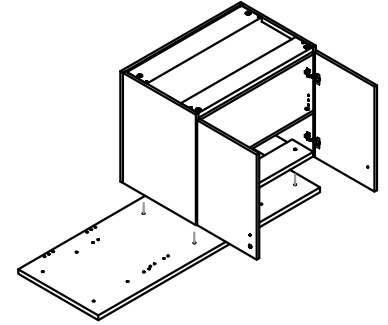
**TOOL REQUIRED :**  
- PHILLIPS HEAD SCREW DRIVER AND FLAT HEAD SCREW DRIVER



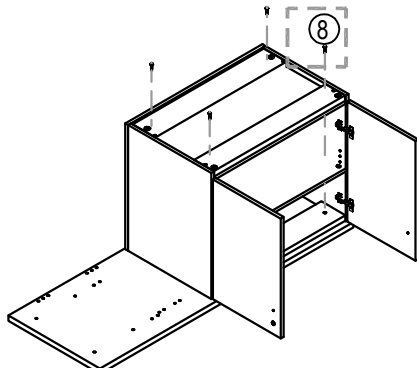
**Step 1**  
Place the desk on the soft carpet (recommended) at the final position with the drilled surface on the top.



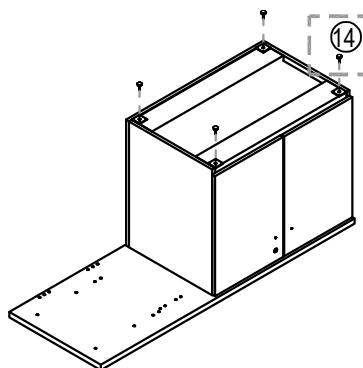
**Step 2**  
a. Place the cabinet on the desktop



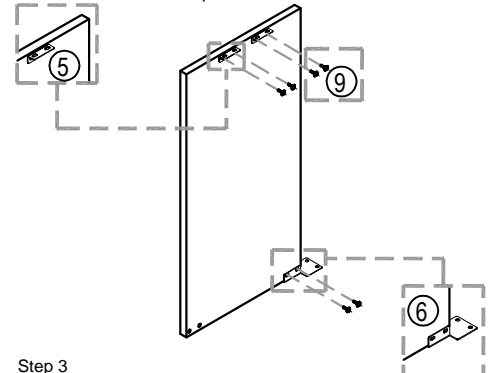
b. Position the cabinet so that the predrilled holes at the upper front / rear braces of the cabinet meet the holes at the desktop.



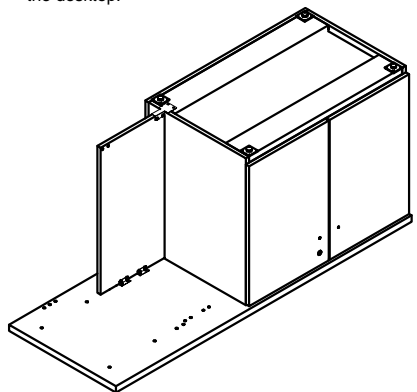
b. Use 1/4" x 1 3/8" screw to attach cabinet to the desktop.



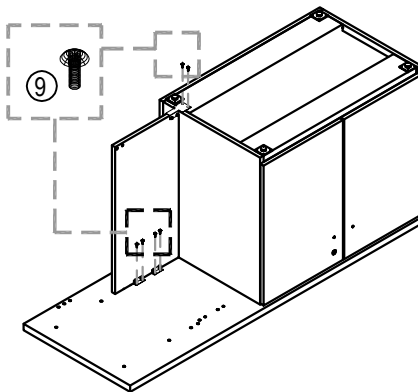
c. Insert glides into the cabinet.



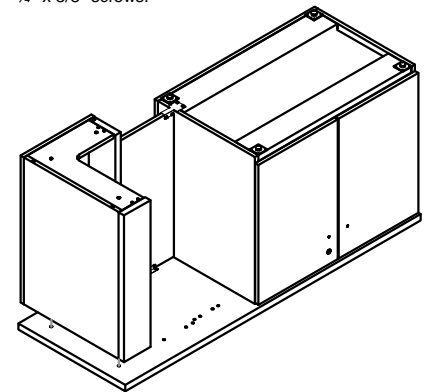
**Step 3**  
a. Attach "L bracket" and "T bracket" to the front panel by using 1/4" x 3/8" screws.



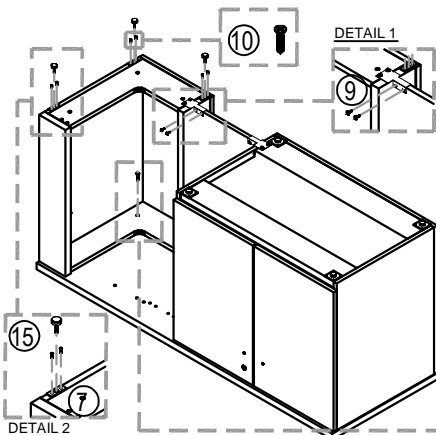
b. Put the front panel on the desktop.



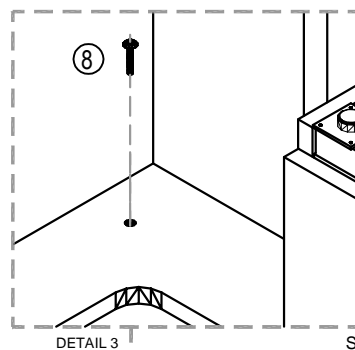
c. Attach the front panel to the cabinet by using "T bracket" and 1/4" x 3/8" screws.  
d. Attach the front panel to the desktop by using "L bracket" and 1/4" x 3/8" screws.



**Step 4**  
a. Place the fantasy pedestal on the desktop  
b. Position the pedestal so that the predrilled holes at the upper brace of the fantasy pedestal meet the holes at the desktop.



**DETAIL 2**  
c. Use 1/4" x 1 3/8" screw to attach pedestal to the desktop.  
d. Use 1/4" x 3/8" screw to attach "T bracket" to the front panel and fantasy pedestal.(see detail 1)  
e. Position flat bracket on the predrilled holes for glide at the fantasy pedestal.(see detail 2)  
f. Attach the flat bracket by using 1/8" x 5/8" wood screws.  
g. Attach glides into the fantasy pedestal.(see detail 2)



**Step 5**  
Attach the pulls to the doors by using 1/8" x 7/8" screws.(see detail 4)

