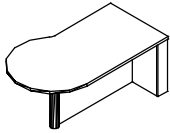


# ASSEMBLING INSTRUCTION

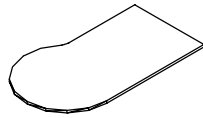
# COMPONENTS

MARTIN<sup>®</sup> SERIES

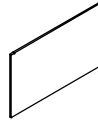


PENINSULA & BULLET DESKS

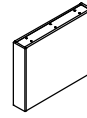
FORMCASE<sup>®</sup>  
FORMING A BETTER WORKPLACE  
www.formcase.com



1 DESKTOP



2 MODESTY PANEL P/B TOP



3 SIDE PANEL P/B TOP



4 STEEL LEG

## HARDWARE

5



1/4" x 1 5/8" SCREW

6



1/4" x 3/8" SCREW

7



1/8" x 3/8" SCREW

8



1/4" x 5/8" SCREW

9



1/4" x 5/8" SCREW

10



L BRACKET

11



T BRACKET

12



U BRACKET

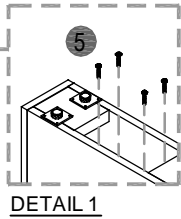
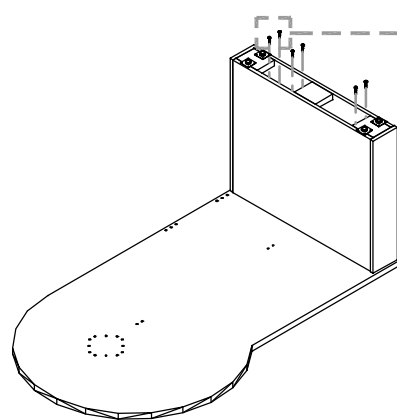
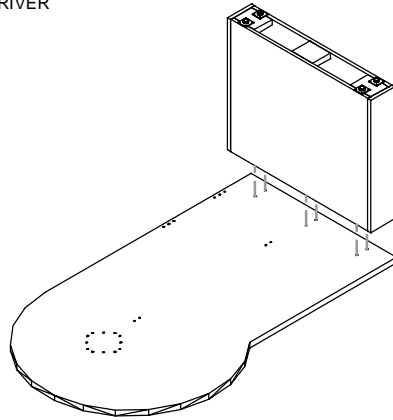
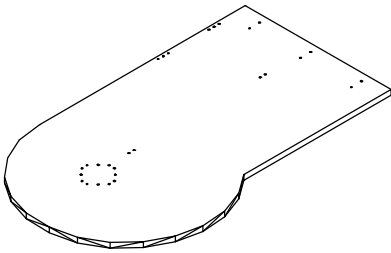
13



L KEY

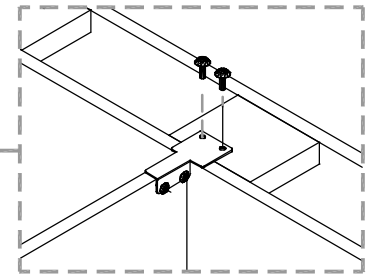
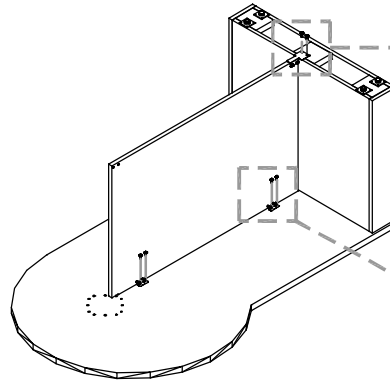
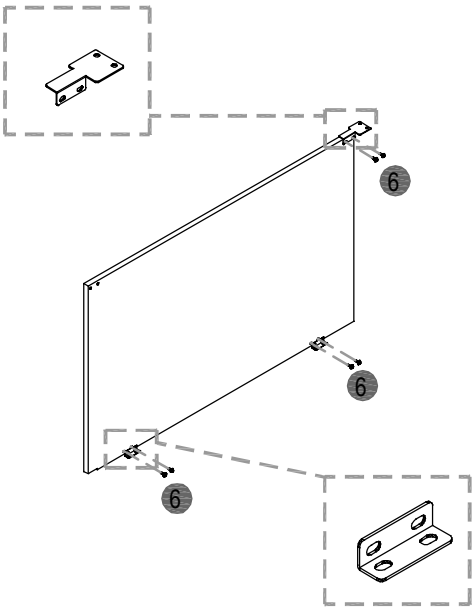
### TOOL REQUIRED :

- PHILLIPS HEAD SCREW DRIVER AND FLAT HEAD SCREW DRIVER

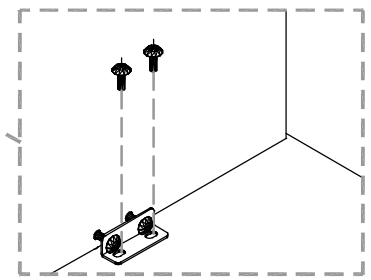


### Step 1

- Place the desk on the soft carpet (recommended) at the final position with the drilled surface on the top.
- Place the main unit at the final location and position the side panel p/b top nearby.
- Use 1/4" x 1 5/8" screw to attach side panel P/B top to the desktop.



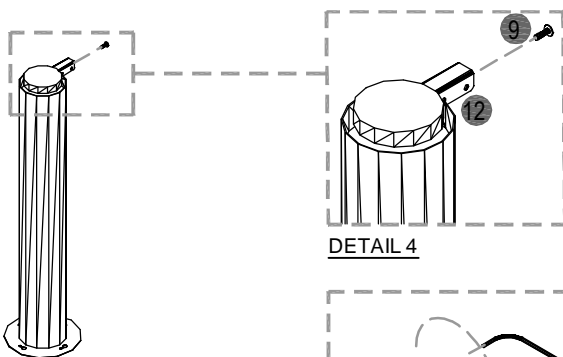
DETAIL 2



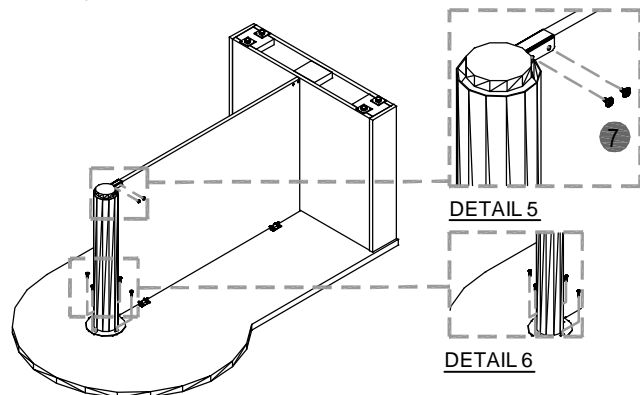
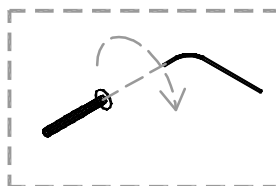
DETAIL 3

### Step 2

- Attach the "L bracket" and "T bracket" to the modesty panel P/B top by using 1/4" x 3/8" screws.
- Attach the modesty panel P/B top to the side panel P/B top by using "T bracket" and 1/4" x 3/8" screws. (See detail 2)
- Attach the modesty panel P/B top to the desktop by using "L bracket" and 1/4" x 3/8" screws. (See detail 3)



DETAIL 4



DETAIL 5

DETAIL 6

### Step 3

- Attach the "U bracket" to the steel leg by using 1/4" x 5/8" screws. (See detail 4)
- Attach the "U bracket" to the modesty panel P/B top by using 1/8" x 3/8" screws. (See detail 5)
- Attach the "steel leg" to the desktop by using 1/4" x 5/8" screws. (See detail 6)