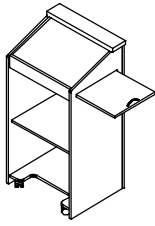


ASSEMBLING INSTRUCTION

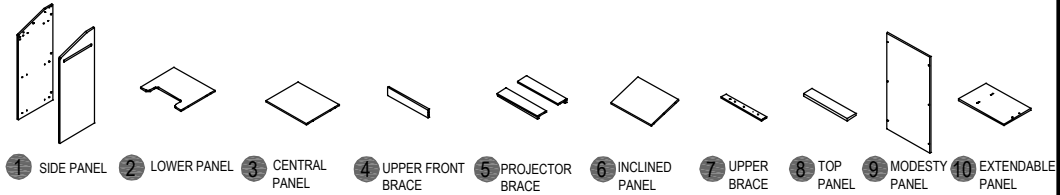
COMPONENTS

MARTIN® SERIES

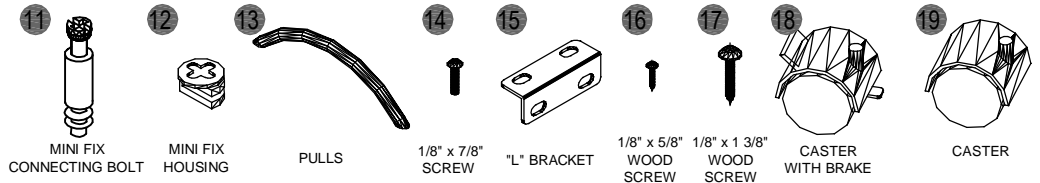


LECTERN

FORMCASE®
FORMING A BETTER WORKPLACE
www.formcase.com

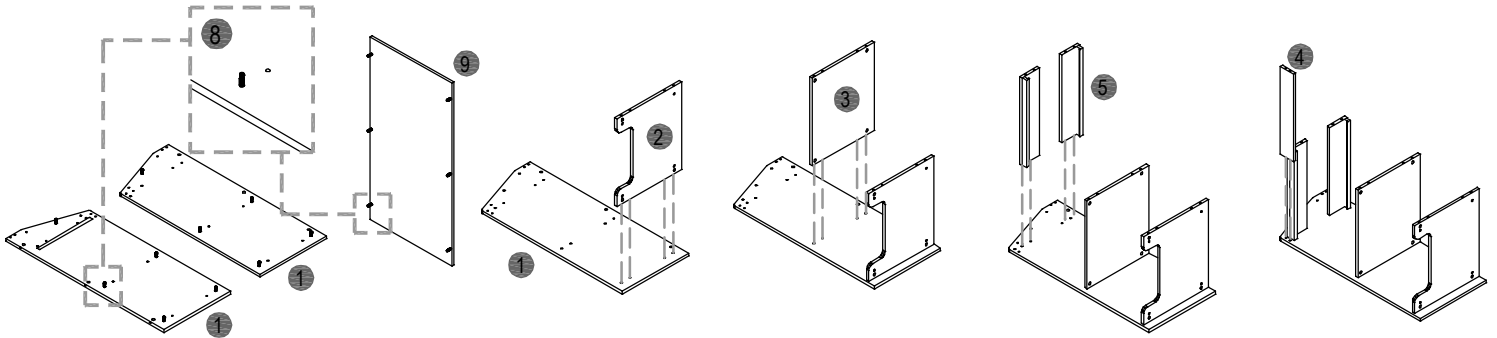


HARDWARE



INSTALLING BODY

TOOL REQUIRED :
- PHILLIPS HEAD SCREW DRIVER AND FLAT HEAD SCREW DRIVER



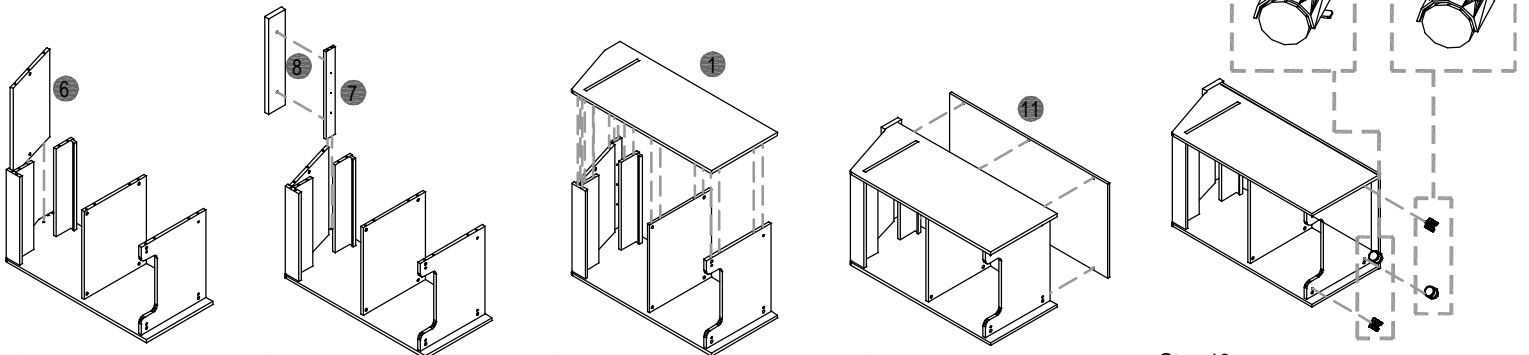
Step 1
Attach the mini fix connecting bolt into the nylon sockets provided in each panel.

Step 2
a. Attach the lower panel to the side panel.
b. Tighten all the mini fix housings.

Step 3
Attach central panel to the pre - assembled components and tighten all the mini fix housings.

Step 4
Attach the projector braces to the pre - assembled components and tighten all the mini fix housings.

Step 5
Attach the upper front brace to the pre - assembled components and tighten all the mini fix housings.



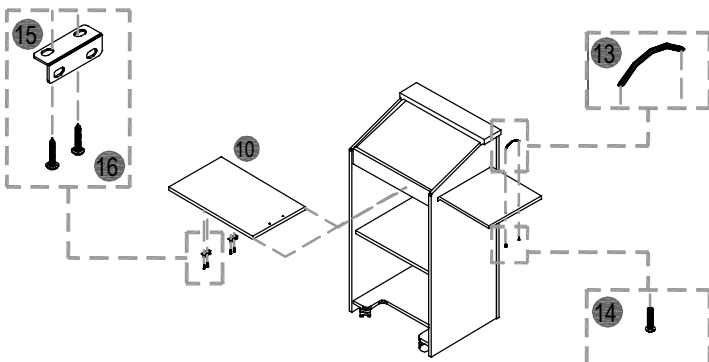
Step 6
Attach the inclined panel to the pre - assembled components tighten all the mini fix housings.

Step 7
a. Attach the top panel to the upper brace using 1/8" x 1 3/8" screws
b. Attach top panel and upper brace to the pre - assembled components

Step 8
Attach another side panel to the pre - assembled components and tighten all mini fix housings.

Step 9
Attach modesty panel to the pre - assembled components and tighten all the mini fix housings.

Step 10
Attach the casters into the lower panel. (Attach the caster with brake in front of the lower panel position)



Step 11
a. Attach the L Bracket to the extendable panel using 1/8" x 5/8" screws
b. Insert the extendable panel to the side panel
c. Attach The pulls using 1/8" x 7/8" screws