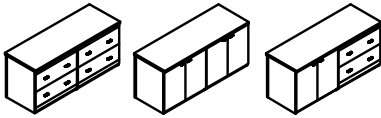


ASSEMBLING INSTRUCTION

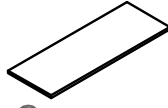
COMPONENTS

MARTIN® SERIES



LATERAL FILE/CABINET CREDENZA

FORMCASE®
FORMING A BETTER WORKPLACE
www.formcase.com



1 TOP PANEL



2 TWO DOOR CABINET 'OR' LATERAL FILE



HARDWARE

3



1/4" x 1 3/8" SCREW

4



1/8" x 1 1/2" SCREW

5



1/8" x 7/8" SCREW

6



GLIDE

7



PULL (for drawer)

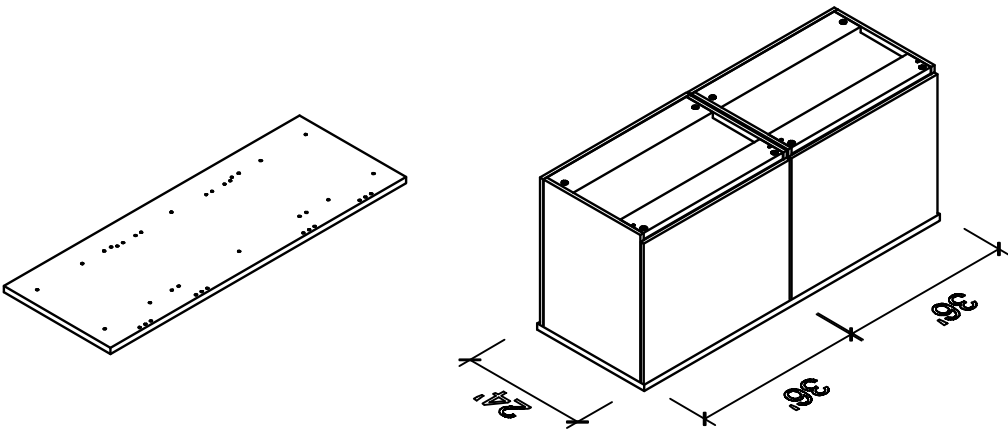
8



PULL (for door)

TOOL REQUIRED :

- PHILLIPS HEAD SCREW DRIVER AND FLAT HEAD SCREW DRIVER

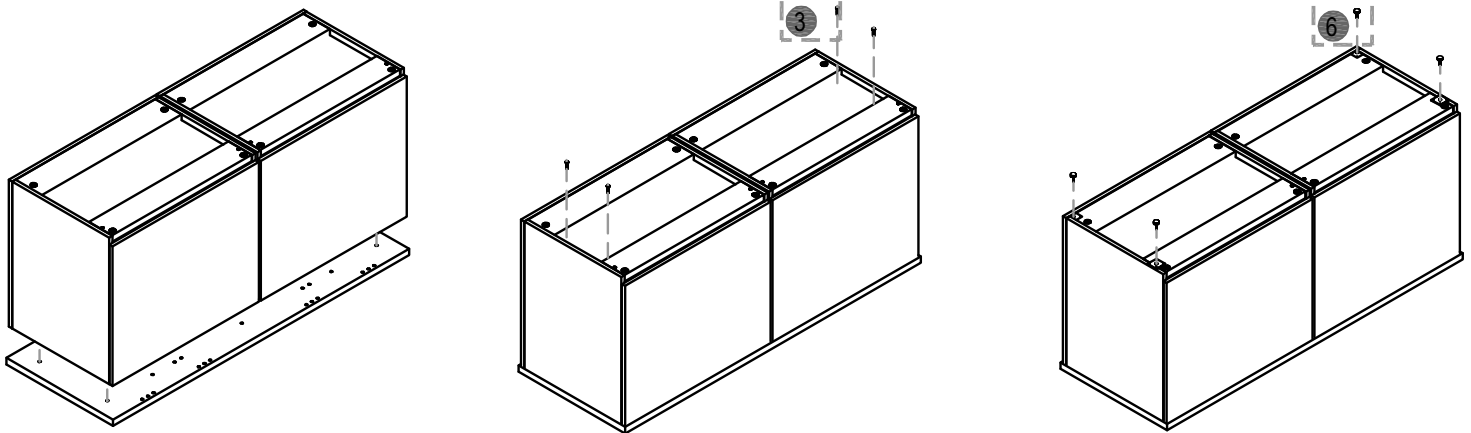


Step 1

Place the desk on the soft carpet (recommended) at the final position with the drilled surface on the top.

Step 2

Put the Two Door Cabinet or Lateral File on the 2466 / 2472 Credenza top



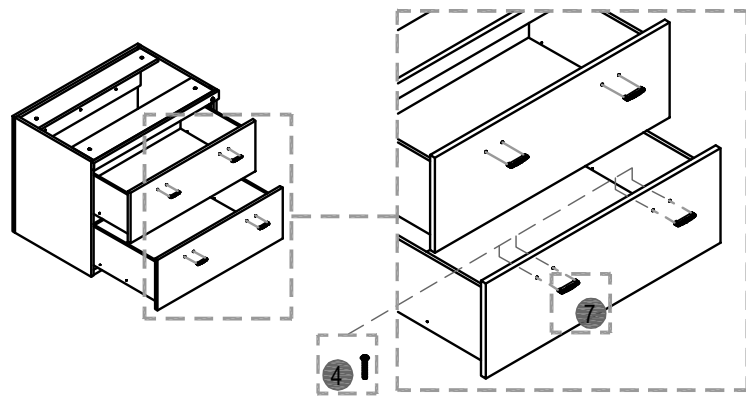
Step 3

a. Position Two Door Cabinet or Lateral File so that the predrilled holes at the upper front / rear braces of the pedestal meet the holes at the desktop.

b. Use 1/4" x 1 3/8" screw to attach Two Door Cabinet or Lateral File to the desktop.

c. Insert glides into the Two Door Cabinet or Lateral File.

TWO DOOR CABINET



Step 4

a. Attach the pulls to the drawers by using 1/8" x 1 1/2" screws. (see detail 1)
b. Attach the pulls to the doors by using 1/8" x 7/8" screws. (see detail 2)

LATERAL FILE

