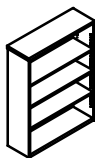


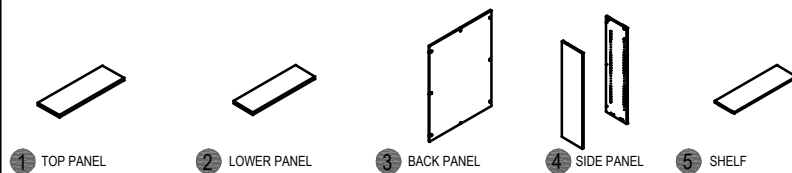
# ASSEMBLING INSTRUCTION

# COMPONENTS

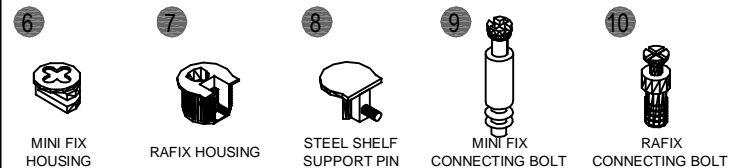
MARTIN® SERIES



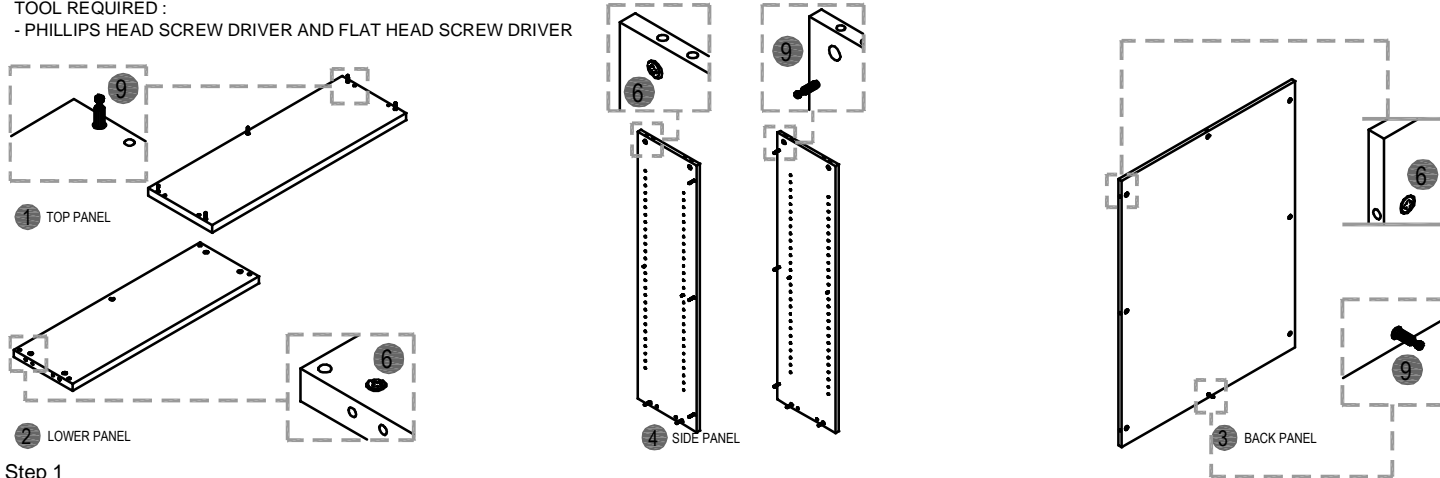
LAMINATE BOOKCASE  
FORMCASE®  
FORMING A BETTER WORKPLACE  
www.formcase.com



## HARDWARE

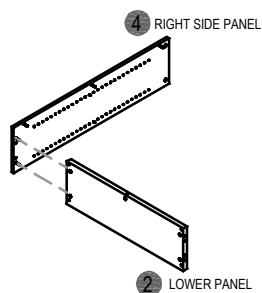


TOOL REQUIRED :  
- PHILLIPS HEAD SCREW DRIVER AND FLAT HEAD SCREW DRIVER



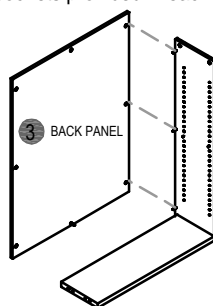
### Step 1

Attach the mini fix connecting bolt into the nylon sockets provided in each panel.



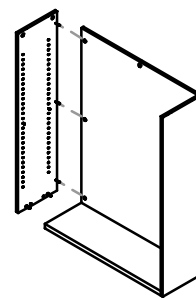
### Step 2

- Attach the lower panel into side panel.
- Tighten all mini fix housings.



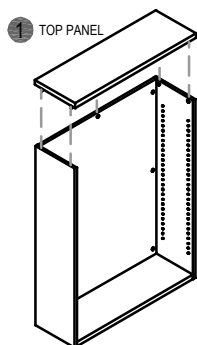
### Step 3

Attach back panel to the pre-assembled components and tighten all minifix housings.



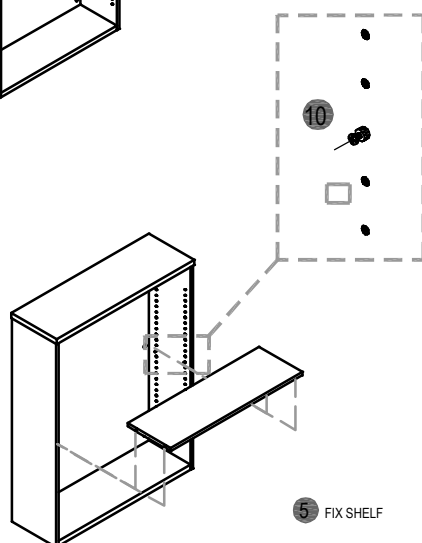
### Step 4

Attach another side panel to the pre-assembled components and tighten all mini fix housings.



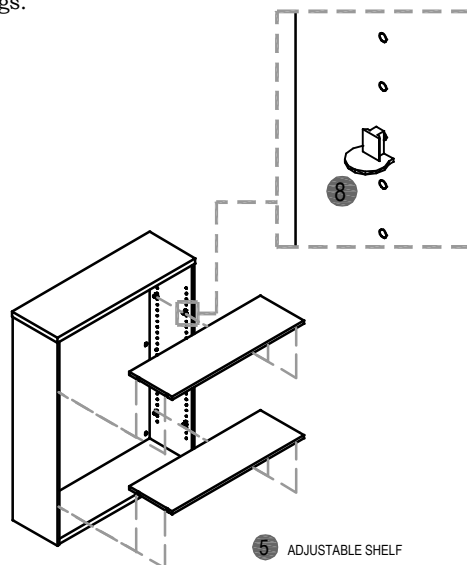
### Step 5

Attach the top panel to the pre-assembled components and tighten all mini fix housings.



### Step 6

- Fit the rafix connecting bolt into the middle of the bookcase side panel  
3672 BC = Hole 23 from bottom  
3648 BC = Hole 13 from bottom  
3630 BC = Hole 6 from bottom
- Position the fix shelf (shelf with rafix housings) on the connecting bolt.
- Tighten the all rafix housings.



### Step 7

- Fit the steel shelf support pin into the predrilled holes at the side panels.
- Position the adjustable shelf into the steel shelf support pin.

