








GLASS RECEPTION COUNTER

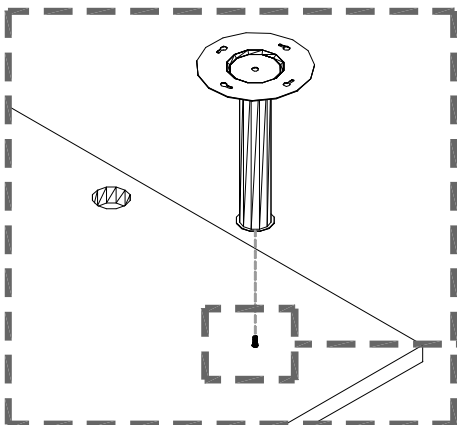
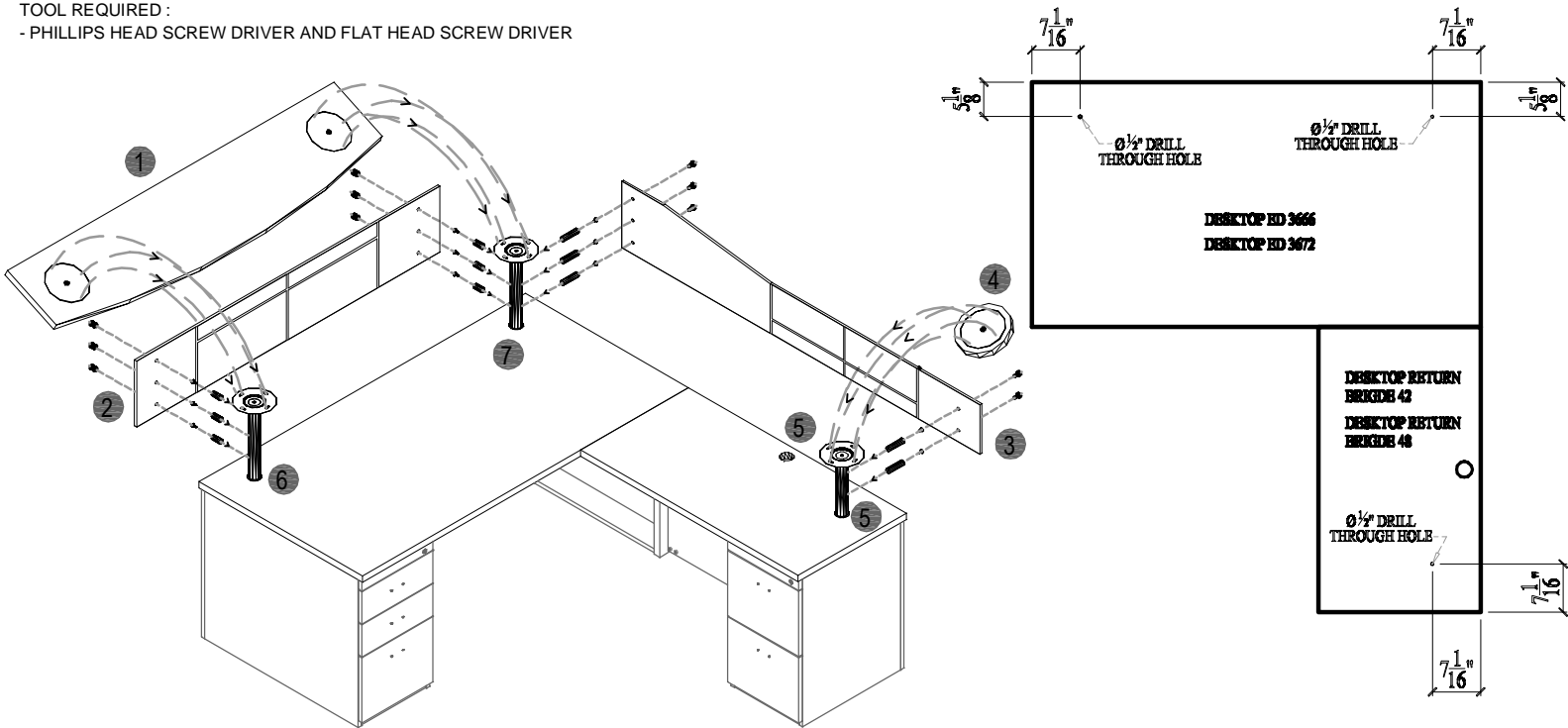
FORMCASE®
FORMING A BETTER WORKPLACE
www.formcase.com

- 1 BOW TCG
- 2 FRONT TCG
- 3 SIDE CLG
- 4 WOODEN DISK
- 5 STEEL PIPES
2 holes
- 6 STEEL PIPES
3 holes
- 7 STEEL PIPES
6 holes

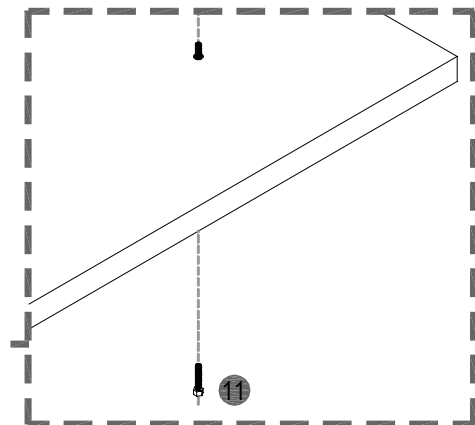
HARDWARE

- 8  1/4" x 3/8" screws
- 9  3/8" x 1" screws
- 10  3/8" x 1" screws
- 11  3/8" x 2 3/4" screws
- 12  3/8" x 1/4" screws
- 13  3/4" x 1 5/8" floating
- 14  3/4" x 2 3/4" floating

TOOL REQUIRED :
- PHILLIPS HEAD SCREW DRIVER AND FLAT HEAD SCREW DRIVER



STEP 1
To attach desktop and return to the steel pipes by using 3/8" x 2 3/4" screws. (See detail 1)



Detail 1

