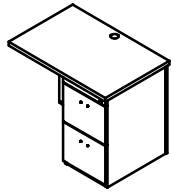


ASSEMBLING INSTRUCTION

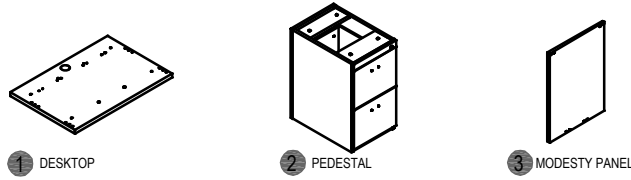
COMPONENTS

MARTIN® SERIES

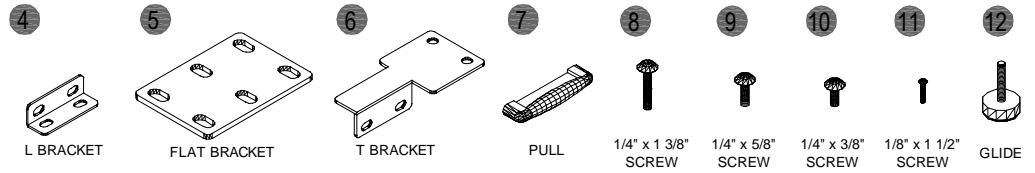


EXECUTIVE RETURN DESK

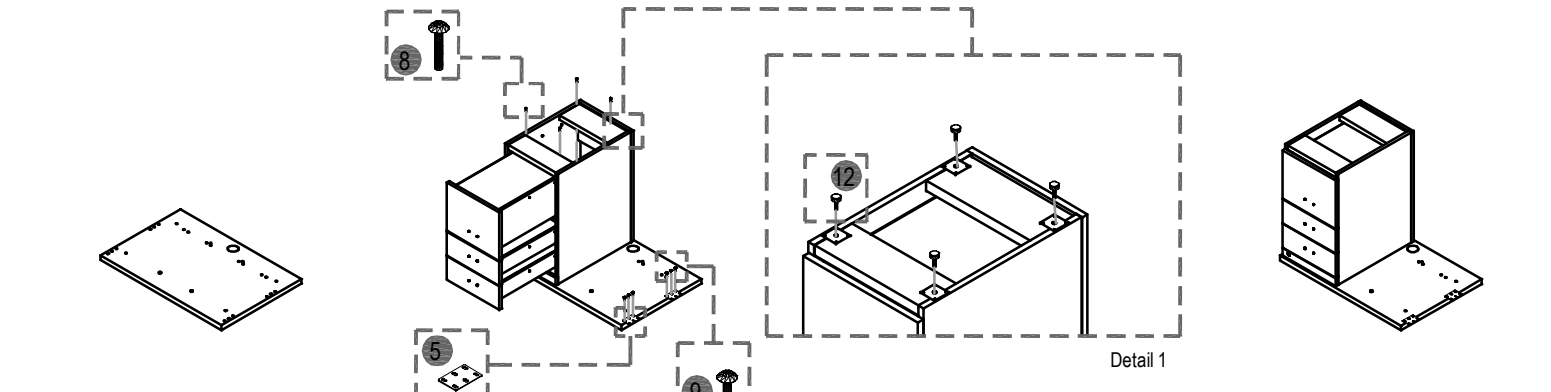
FORMCASE®
FORMING A BETTER WORKPLACE
www.formcase.com



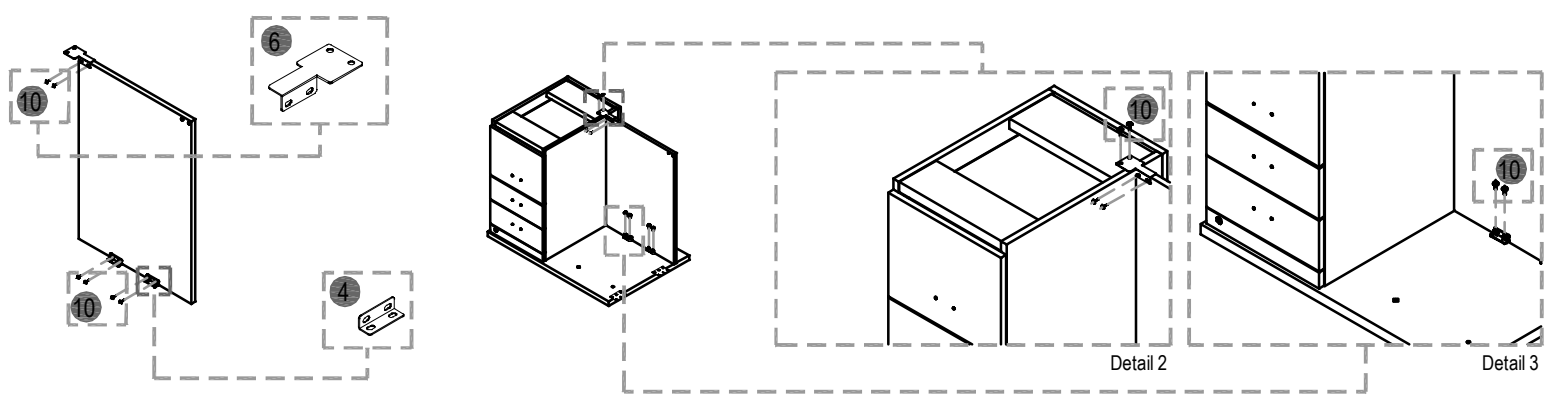
HARDWARE



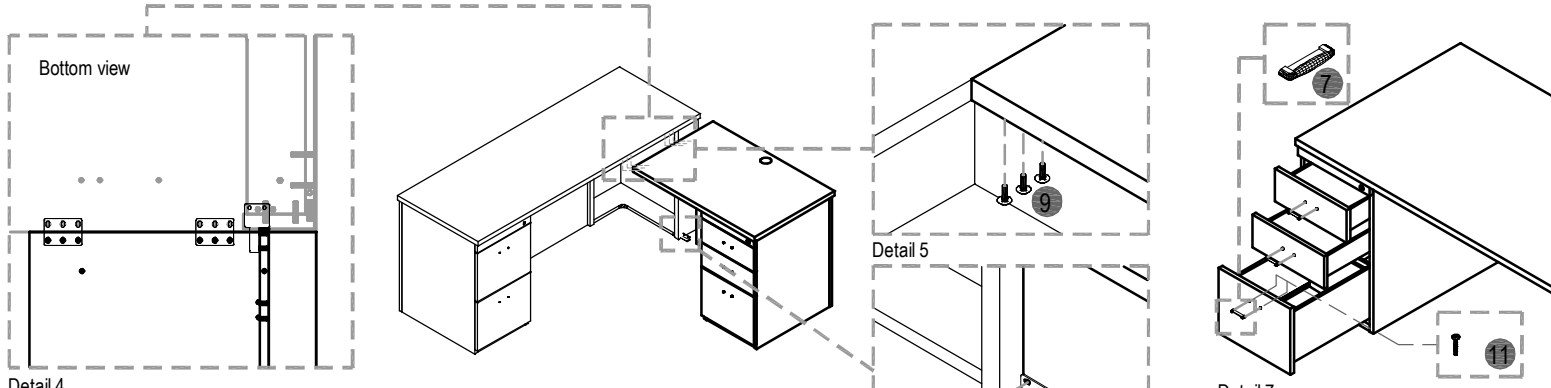
TOOL REQUIRED :
- PHILLIPS HEAD SCREW DRIVER AND FLAT HEAD SCREW DRIVER



- Step 1**
- Place the desk on the soft carpet (recommended) at the final position with the drilled surface on the top.
 - Place the main unit at the final location and position the return nearby.
 - Attach the flat bracket to the main unit by using $\frac{1}{4}$ " x $\frac{5}{8}$ " screws.
- Step 2**
- Place the pedestal on the desktop
 - Position the pedestal so that the predrilled holes at the upper modesty / rear braces of the pedestal meet the holes at the desktop.
 - Use $\frac{1}{4}$ " x $\frac{3}{8}$ " screw to attach pedestal to the desktop.
 - Insert glides into the pedestal.(See detail 1)
 - Attach flat bracket to the desktop by using $\frac{1}{4}$ " x $\frac{3}{8}$ " screw.



- Step 3**
- Attach "L bracket" and "T bracket" to the modesty panel by using $\frac{1}{4}$ " x $\frac{3}{8}$ " screws.
 - Put the modesty panel on the desktop
 - Attach the modesty panel to the pedestal by using "T bracket" and $\frac{1}{4}$ " x $\frac{3}{8}$ " screws.(See detail 2)
 - Attach the modesty panel to the desktop by using "L bracket" and $\frac{1}{4}$ " x $\frac{3}{8}$ " screws.(See detail 3)



- Step 4**
- Place the return top on the "flat bracket" and the modesty panel on the "T bracket".(See detail 4)
 - Use $\frac{1}{4}$ " x $\frac{5}{8}$ " screws to attach "flat bracket" to the return top .(See detail 5)
 - Use $\frac{1}{4}$ " x $\frac{3}{8}$ " screws to attach "T bracket" to the modesty panel .(See detail 6)
 - Attach the pulls to the drawers by using $\frac{1}{8}$ " x $\frac{1}{2}$ " screws.(See detail 7)