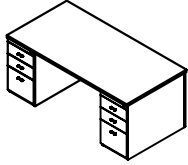


ASSEMBLING INSTRUCTION

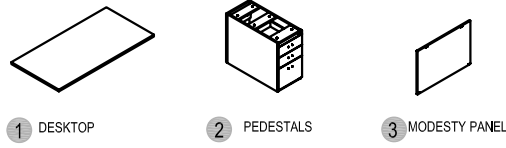
COMPONENTS

MARTIN® SERIES

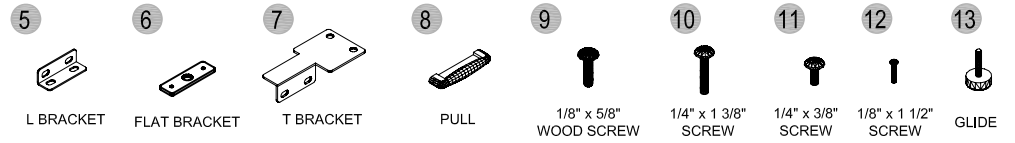


DOUBLE PEDESTAL DESKS

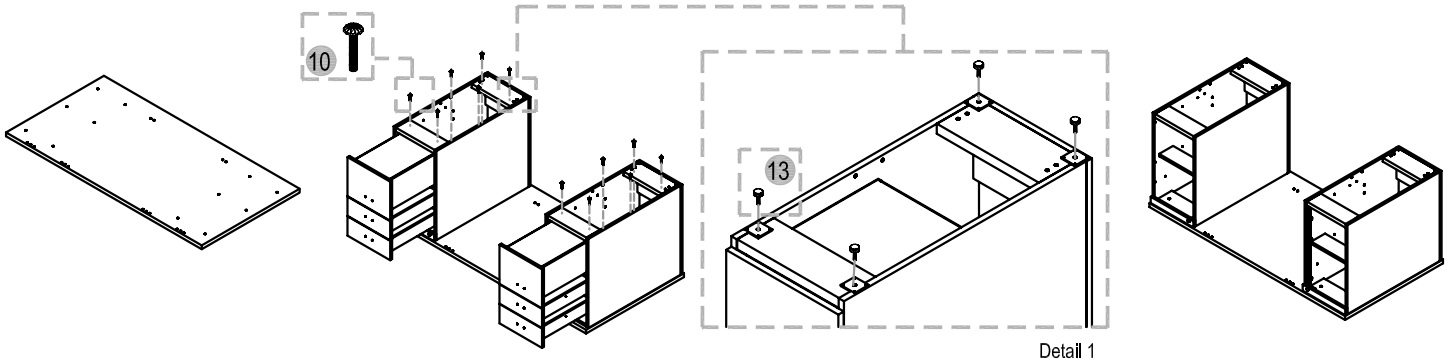
FORMCASE®
FORMING A BETTER WORKPLACE
www.formcase.com



HARDWARE

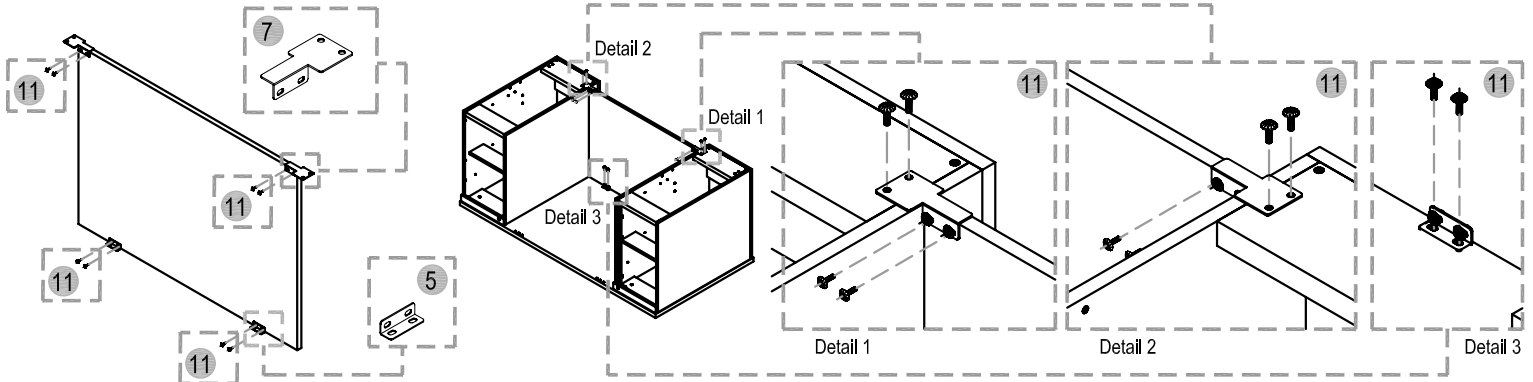


TOOL REQUIRED :
- PHILLIPS HEAD SCREW DRIVER AND FLAT HEAD SCREW DRIVER



Step 1
Place the desk on the soft carpet (recommended) at the final location with the drilled surface on the top

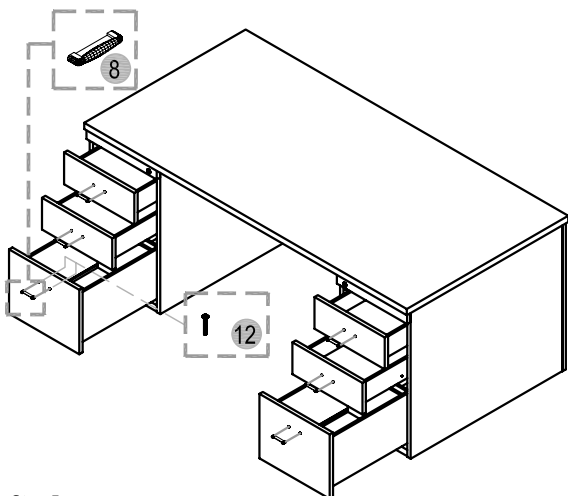
Step 2
a. Put the pedestal on the desktop
b. Pull out the drawers
c. Position the pedestal on the desktop so that the predrilled holes at the upper front / rear braces of the pedestal meet the holes at the desktop.
d. Use 1/4" x 1 3/8" screw to attach pedestal to the desktop.
e. Insert glides into the pedestal. (see detail 1)



Step 3
a. Attach "L brackets" and "T brackets" to the modesty panel by using 1/4" x 3/8" screws.

b. Put the modesty panel on the desktop

c. Attach the modesty panel to the pedestal by using "T bracket" and 1/4" x 3/8" screws. (see detail 1&2)
d. Attach the modesty panel to the desktop by using "L bracket" and 1/4" x 3/8" screws.(see detail 3)



Step 4
a. Attach the pulls to the drawers by using 1/8" x 1 1/2" screws.

