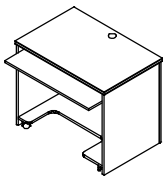


# ASSEMBLING INSTRUCTION

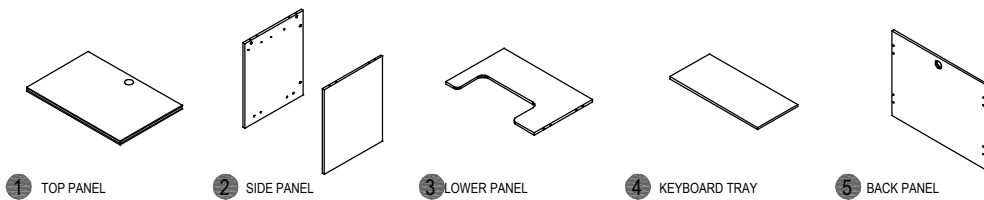
# COMPONENTS

MARTIN® SERIES

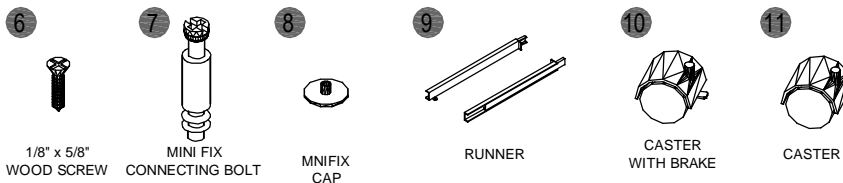


COMPUTER PRINTER STAND

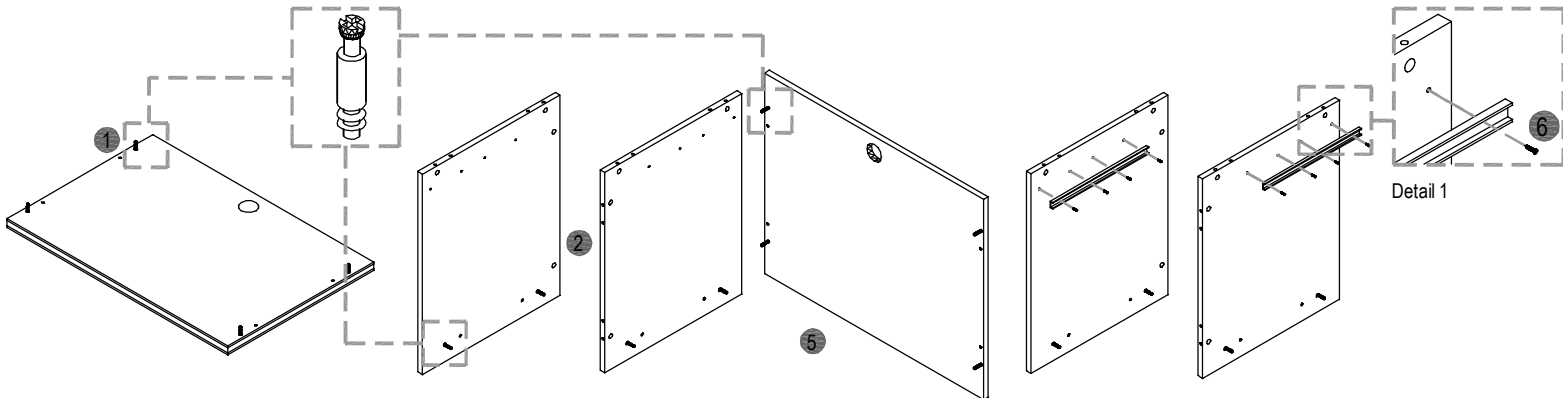
FORMCASE®  
FORMING A BETTER WORKPLACE  
www.formcase.com



# HARDWARE



TOOL REQUIRED :  
- PHILLIPS HEAD SCREW DRIVER AND FLAT HEAD SCREW DRIVER

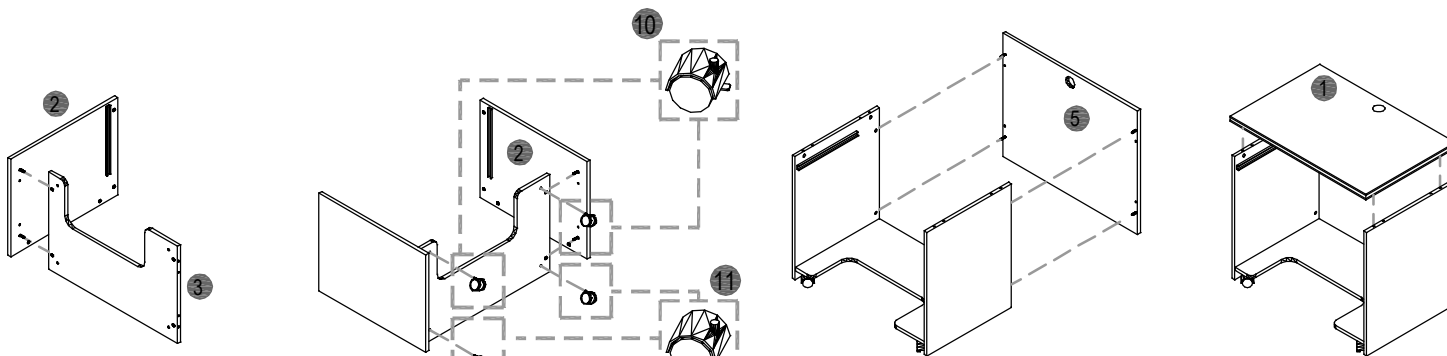


**Step 1**

Attach the mini fix connecting bolt into the nylon sockets provided in each panel.

**Step 2**

Attach the runner to the side panel by using 1/8" x 5/8" wood screws. (See detail 1)



**Step 3**

Attach the lower panel to the side panel components and tighten all mini fix housings.

**Step 4**

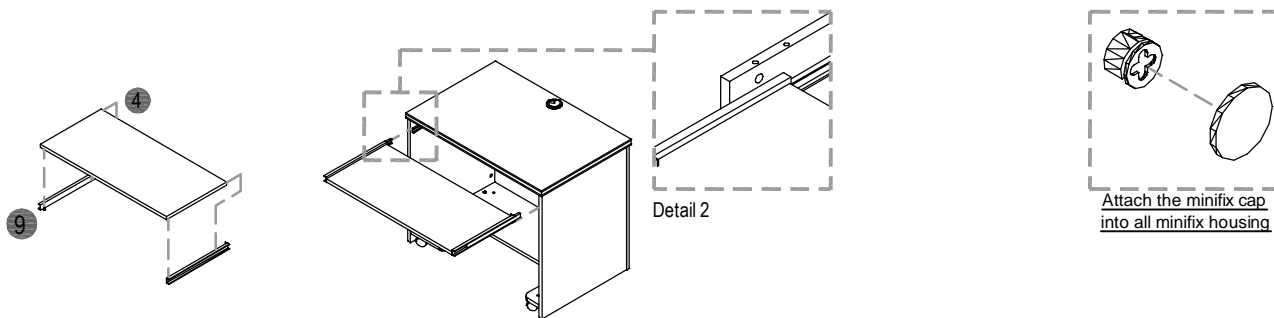
a. Attach the another side panel to the pre-assembled components and tighten all mini fix housings.  
b. Attach the caster into the lower panel . (Attach the caster with brake in front of the lower panel position)

**Step 5**

Attach the back panel to the pre-assembled components and tighten all mini fix housings.

**Step 6**

Attach the top panel to the pre-assembled components and tighten all mini fix housings.



**Step 7**

Attach the inside runner to the keyboard tray

**Step 8**

Attach the assembled keyboard tray to the pre-assembled components. (See detail 2)

Attach the minifix cap into all minifix housing

MINI FIX HOUSING UNLOCKED POSITION      MINI FIX HOUSING LOCKED POSITION

