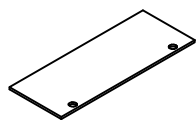
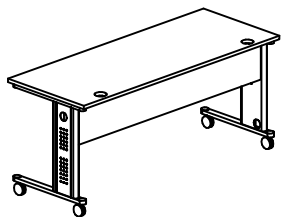


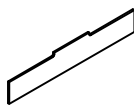
**ASSEMBLING INSTRUCTION**

**COMPONENTS**

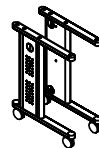
**BRIO**



① DESKTOP



② MODESTY PANEL



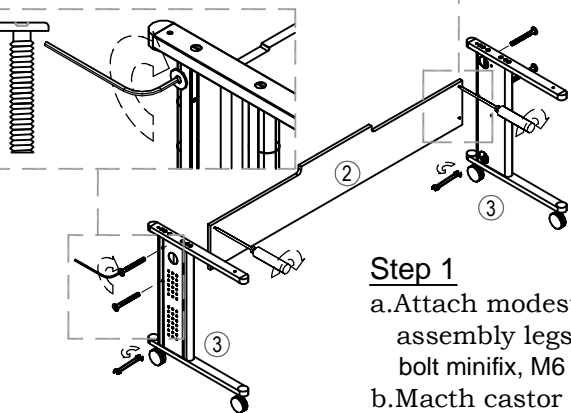
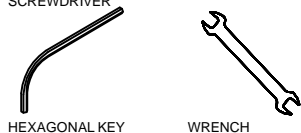
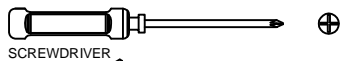
③ STEEL LEGS

**RECTANGULAR  
FORMCASE**

**HARDWARE**

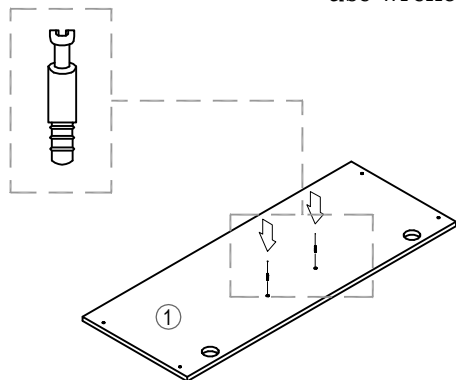
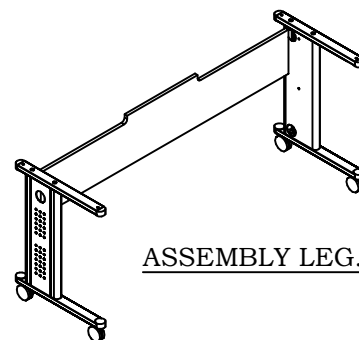
<p>(A)</p> <p>BOLT MINIFIX</p>	<p>(B)</p> <p>M6 X 40 FLAT HEAD SCREW</p>	<p>(C)</p> <p>M6 X 60 FLAT HEAD SCREW</p>	<p>(D)</p> <p>CROSS DOWEL</p>	<p>(E)</p> <p>CASTOR</p>
--------------------------------	---	---	-------------------------------	--------------------------

**ASSEMBLY TOOLS REQUIRED**



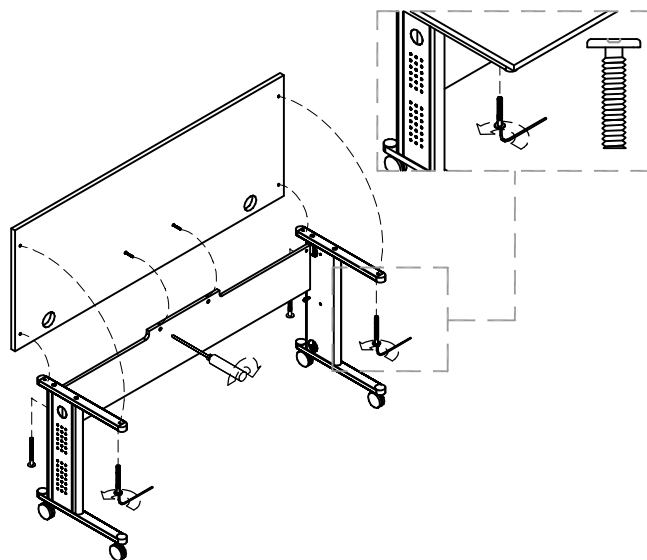
**Step 1**

- a. Attach modesty panel to assembly legs by using bolt minifix, M6 X 60 flat head screw.
- b. Match castor position to steel leg, use wrench.



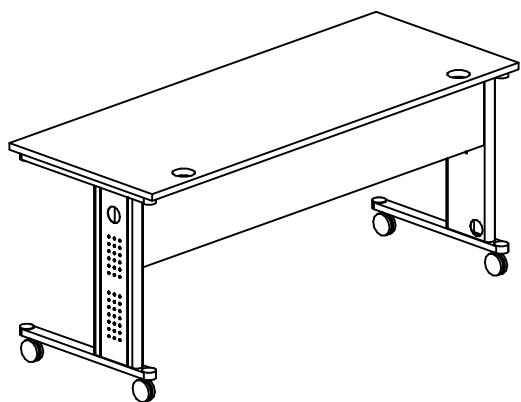
**Step 2**

- Put tabletop on the soft carpet, attach bolt minifixs.



**Step 3**

- a. Attach the tabletop to assembly leg.
- b. Use M6 X 40 flat head screw to attach table to steel leg.
- c. Match castor position to steel leg, use wrench.
- c. Tightens all minifixs.



**DETAIL FOR MINIFIX ASSEMBLY**

