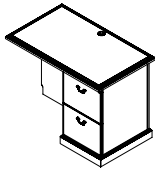


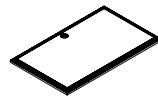
ASSEMBLING INSTRUCTION

COMPONENTS

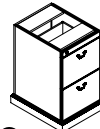
WILSON



EXECUTIVE RETURN DESK



① DESKTOP



② PEDESTAL



③ MODESTY PANEL

HARDWARE

④



L BRACKET

⑤



FLAT BRACKET

⑥



T BRACKET

⑦



PULL

⑧



1/4" x 1 3/8" SCREW

⑨



1/4" x 5/8" SCREW

⑩



1/4" x 3/8" SCREW

⑪



1/8" x 1 1/2" SCREW

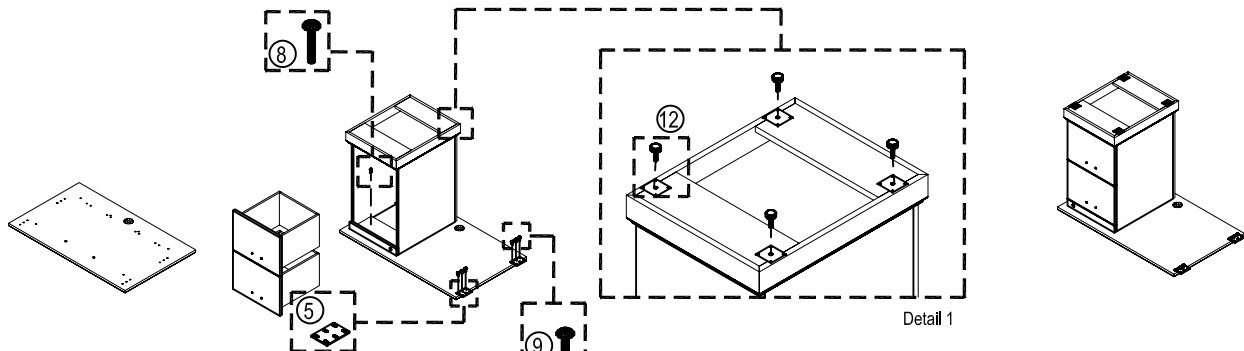
⑫



GLIDE

TOOL REQUIRED :

- PHILLIPS HEAD SCREW DRIVER AND FLAT HEAD SCREW DRIVER

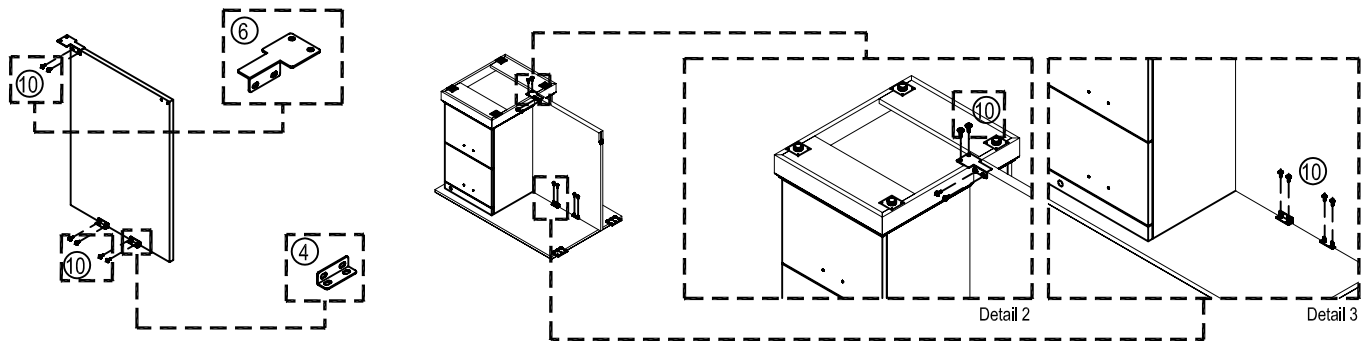


Step 1

- Place the desk on the soft carpet (recommended) at the final position with the drilled surface on the top.
- Place the main unit at the final location and position the return nearby.
- Attach the flat bracket to the main unit by using 1/4" x 5/8" screws.

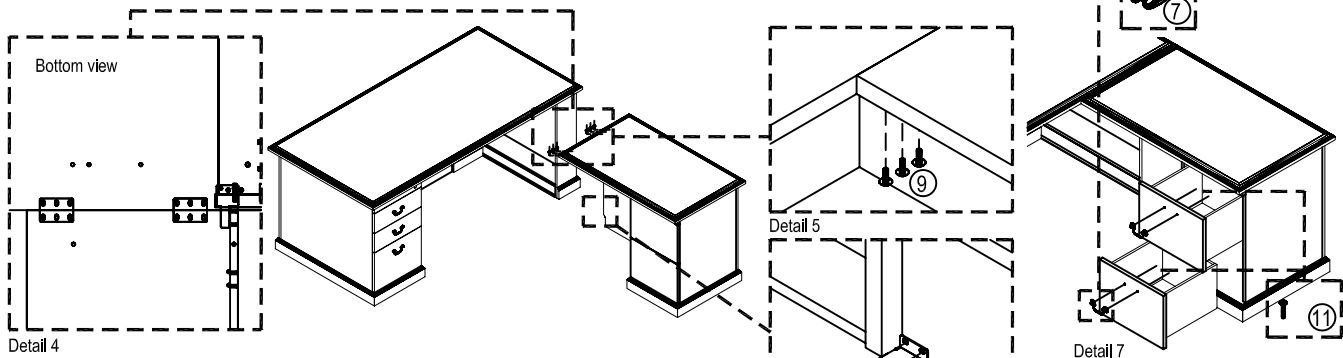
Step 2

- Place the pedestal on the desktop
- Position the pedestal so that the predrilled holes at the upper modesty / rear braces of the pedestal meet the holes at the desktop.
- Use 1/4" x 1 3/8" screw to attach pedestal to the desktop.
- Insert glides into the pedestal.(See detail 1)
- Attach flat bracket to the desktop by using 1/4" x 3/8" screw.



Step 3

- Attach "L bracket" and "T bracket" to the modesty panel by using 1/4" x 3/8" screws.
- Put the modesty panel on the desktop
- Attach the modesty panel to the pedestal by using "T bracket" and 1/4" x 3/8" screws.(See detail 2)
- Attach the modesty panel to the desktop by using "L bracket" and 1/4" x 3/8" screws.(See detail 3)



Step 4

- Place the return top on the "flat bracket" and the modesty panel on the "T bracket".(See detail 4)
- Use 1/4" x 5/8" screws to attach "flat bracket" to the return top.(See detail 5)
- Use 1/4" x 3/8" screws to attach "T bracket" to the modesty panel.(See detail 6)
- Attach the pulls to the drawers by using 1/8" x 1 1/2" screws.(See detail 7)