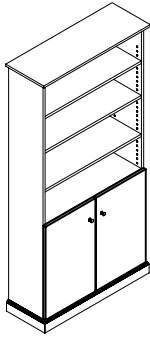


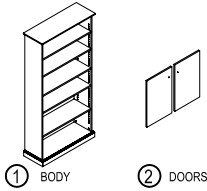
ASSEMBLING INSTRUCTION

COMPONENTS

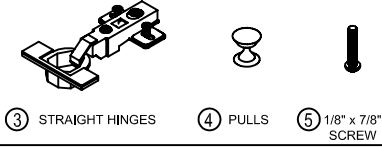
WILSON



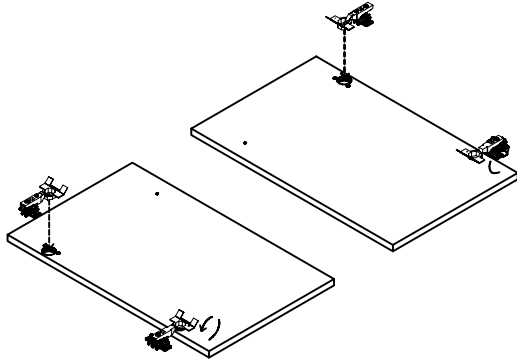
BOOKCASE DOORS



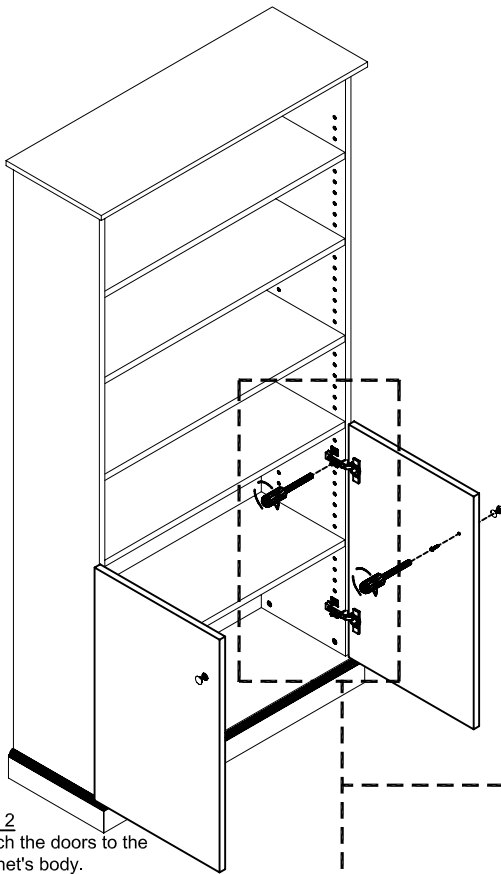
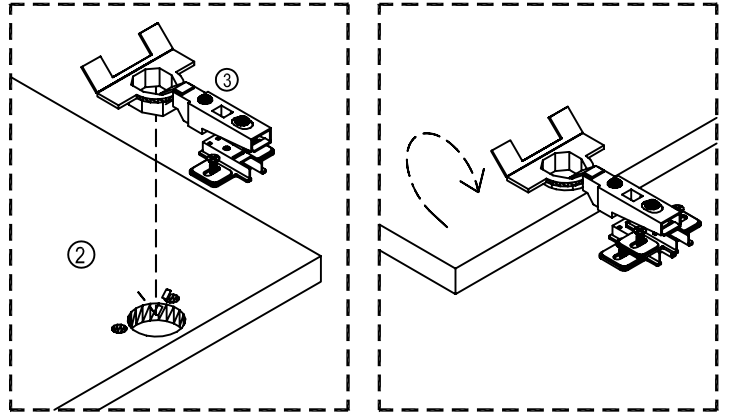
HARDWARE



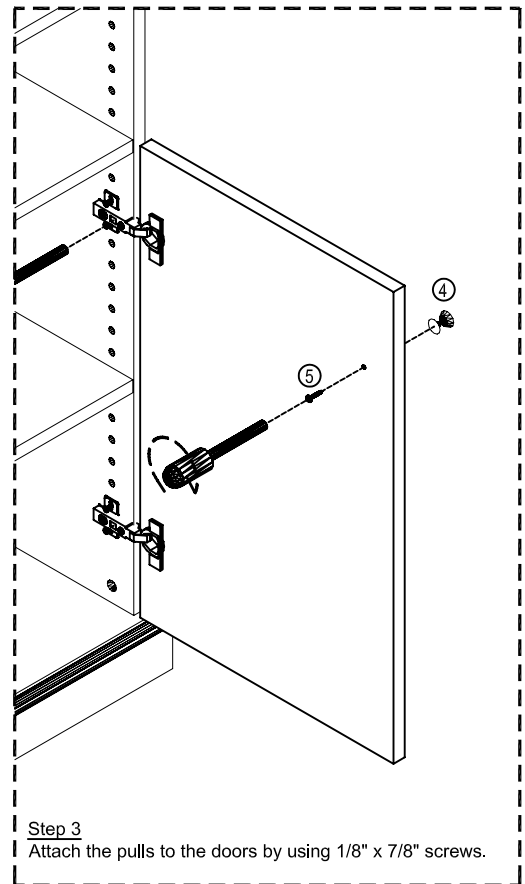
INSTALLING DOORS



Step 1
Attach the hinges to the doors. (see detail 1)



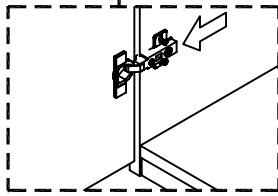
Step 2
Attach the doors to the cabinet's body.



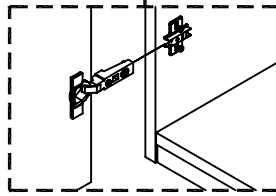
Step 3
Attach the pulls to the doors by using 1/8" x 7/8" screws.

Clip on features

All of the Formcase products use clip on hinges. Once the doors is attached to the cabinet / hutch, the doors can be easily removed or reinstalled without using a tool.



How to remove a clip on hinge?
Simply push the clip, located near the side panel and pull out the doors.



How to reinstall a clip on hinge?
Position the clip to the part of the hinge at the side panel, and then push the door to reconnect the hinge.