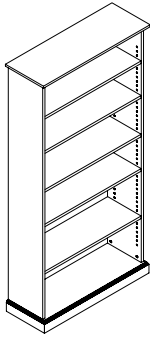


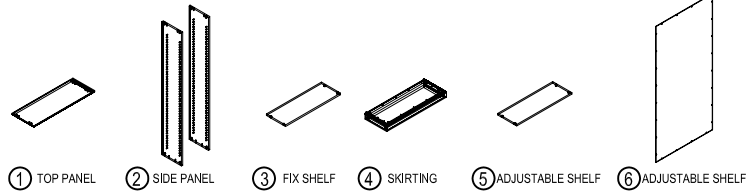
ASSEMBLING INSTRUCTION

COMPONENTS

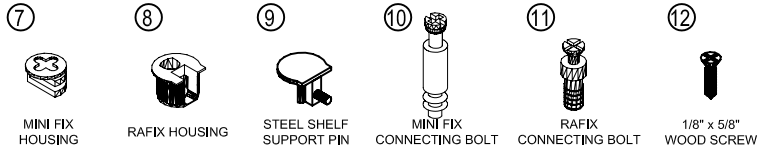
WILSON



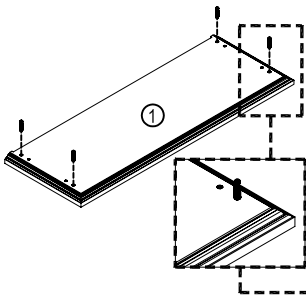
BOOKCASE BODY



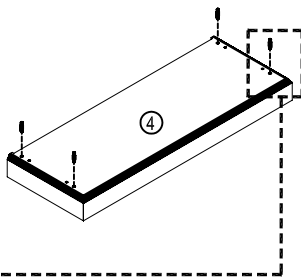
HARDWARE



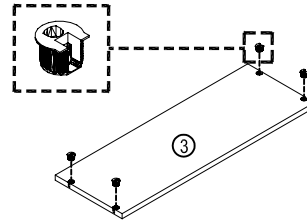
TOOL REQUIRED :
- PHILLIPS HEAD SCREW DRIVER AND FLAT HEAD SCREW DRIVER



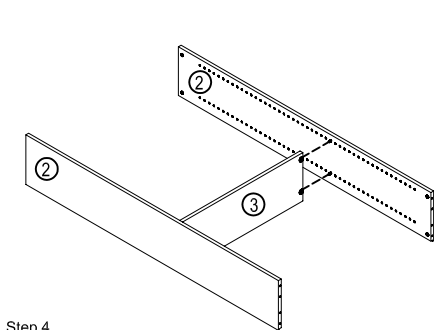
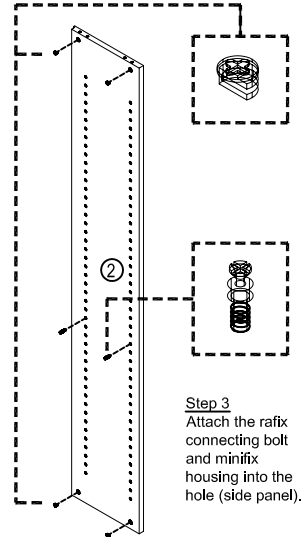
Step 1
Attach the mini fix connecting bolt into the nylon sockets provided in each panel.



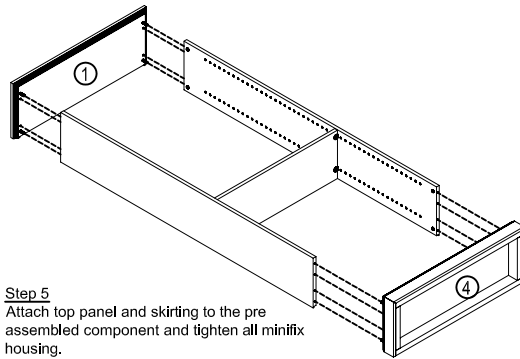
Step 2
Attach the rafix housing into the hole (fix shelf).



Step 3
Attach the rafix connecting bolt and minifix housing into the hole (side panel).

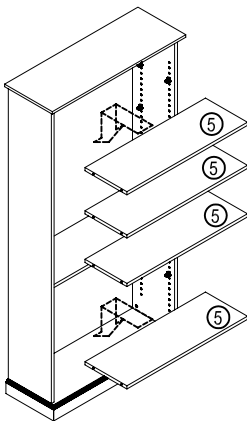


Step 4
Attach side panel to the fix shelf.

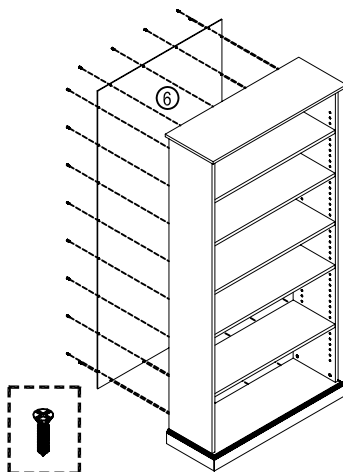


Step 5
Attach top panel and skirting to the pre assembled component and tighten all minifix housing.

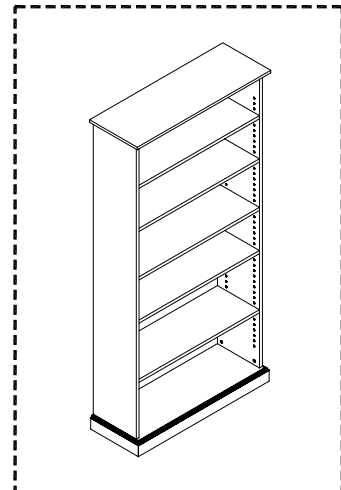
Step 6
Fit the steel shelf support pin into the predrilled holes at the side panels.



Step 7
Position the adjustable shelf into the steel shelf support pin.



Step 8
Attach the back panel to the pre-assembled components by using 1/8\"/>



MINI FIX HOUSING UNLOCKED POSITION

MINI FIX HOUSING LOCKED POSITION

