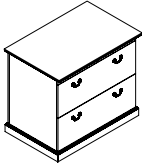


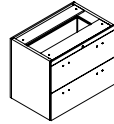
ASSEMBLING INSTRUCTION

COMPONENTS

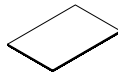
WILSON



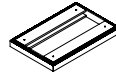
TWO-DRAWER LATERAL FILE



① BODY 2436 LF



② 2436 TOP PANEL



③ SKIRTING 2436 LF

HARDWARE



⑥ 1/4" x 1 3/8" SCREW



⑦ 1/8" x 1 1/2" SCREW



⑧ GLIDE



⑨ PULL (for drawer)



⑩ PLATE BAR 2-7/8"



⑪ PLATE BAR 1-6/8"

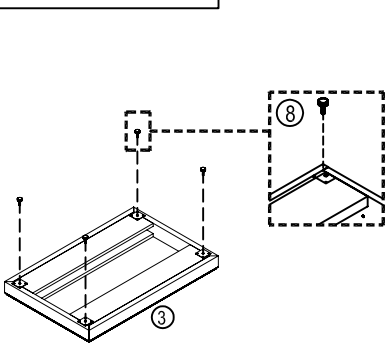


⑫ FILE BRACKET

TOOL REQUIRED :

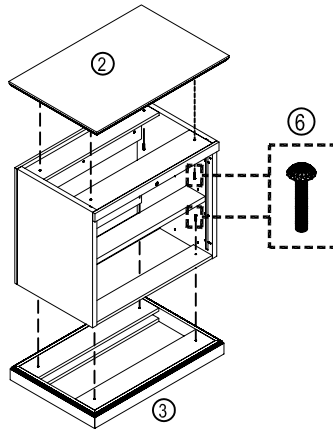
- PHILLIPS HEAD SCREW DRIVER AND FLAT HEAD SCREW DRIVER

2436 LF + TOP PANEL + SKIRTING



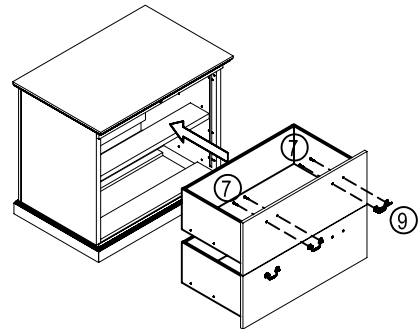
Step 1

A. Remove all drawers from body
B. Rotate 90° skirting on the soft carpet (recommended) for installing glides



Step 2

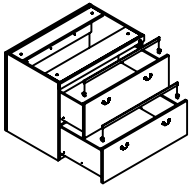
A. Place the top panel and skirting to the body using 1/4" x 1 3/8" SCREW



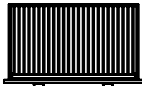
Step 3

A. Insert all drawers to the body.
B. Attach the pulls to the drawers by using 1/8" x 1 1/2" screws

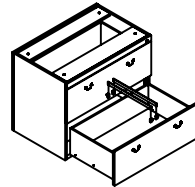
FILING SYSTEM



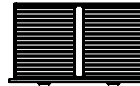
CONFIGURATION 1



FOR CONFIGURATION 1 YOU CAN USE 2-7/8" PLATE BAR AND FILE BRACKET



CONFIGURATION 2



FOR CONFIGURATION 2 YOU CAN USE 1-6/8" PLATE BAR AND FILE BRACKET