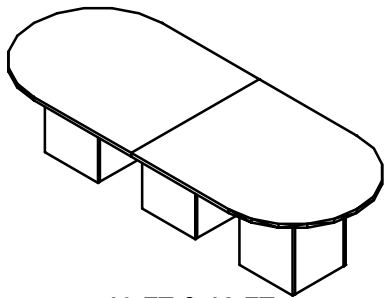


ASSEMBLING INSTRUCTION

COMPONENTS

MARTIN® SERIES



10-FT & 12-FT
CONFERENCE TABLE
FORMCASE®
 FORMING A BETTER WORKPLACE
 www.formcase.com

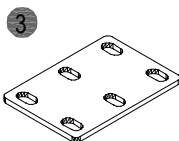


1 DESKTOP



2 BASE DRUM

HARDWARE



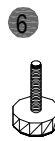
FLAT BRACKET



1/4" x 5/8" SCREW

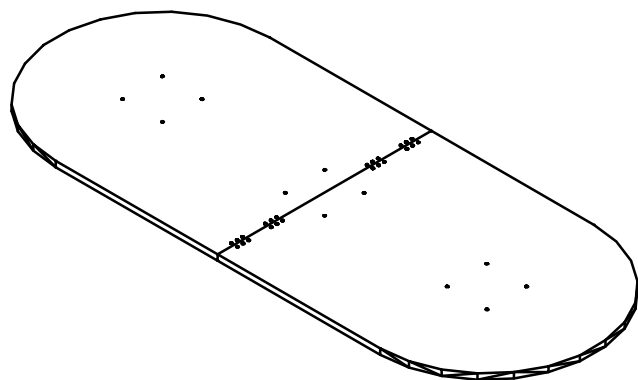


1/4" x 1 3/8" SCREW



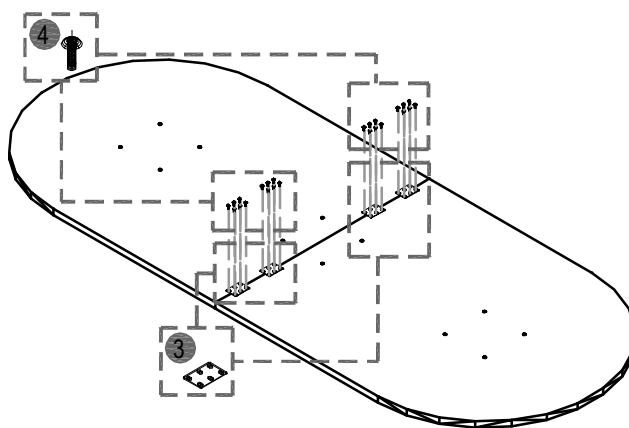
GLIDE

TOOL REQUIRED :
 - PHILLIPS HEAD SCREW DRIVER AND FLAT HEAD SCREW DRIVER



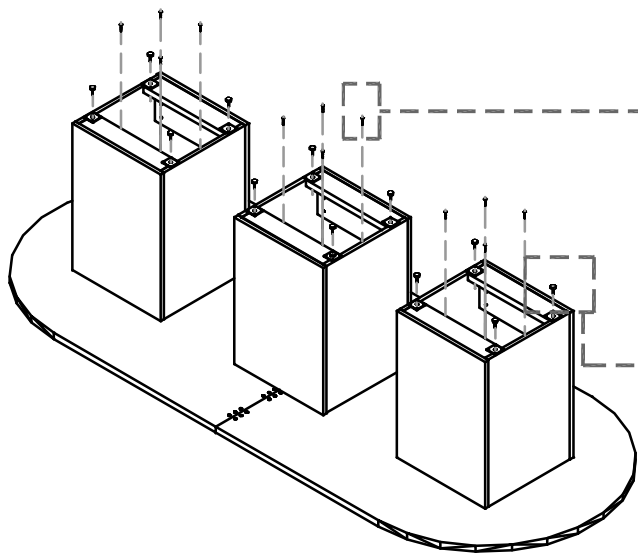
Step 1

- a. Place the tabletop on the soft carpet (recommended) at the final position with the drilled surface on the top.



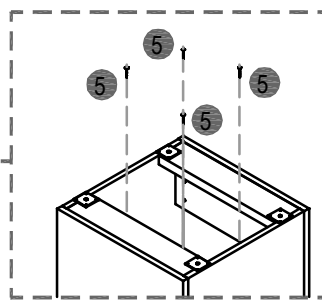
Step 2

- a. Connect the tabletop by using "flat bracket" and 1/4" x 5/8" screws.

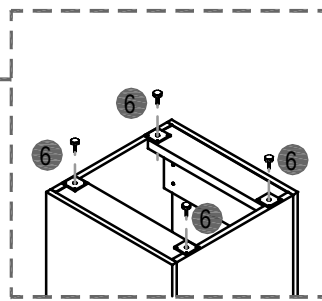


Step 3

- a. Put the base drum on the tabletop.
- b. Position the base drum so that the predrilled holes at the upper front / rear braces of the base drum meet the holes at the tabletop.
- c. Attach the table base drum to the tabletop by using 1/4" x 1 3/8" screws. (See detail 1)
- d. insert the glides into the base drum. (See detail 2)



Detail 1



Detail 2